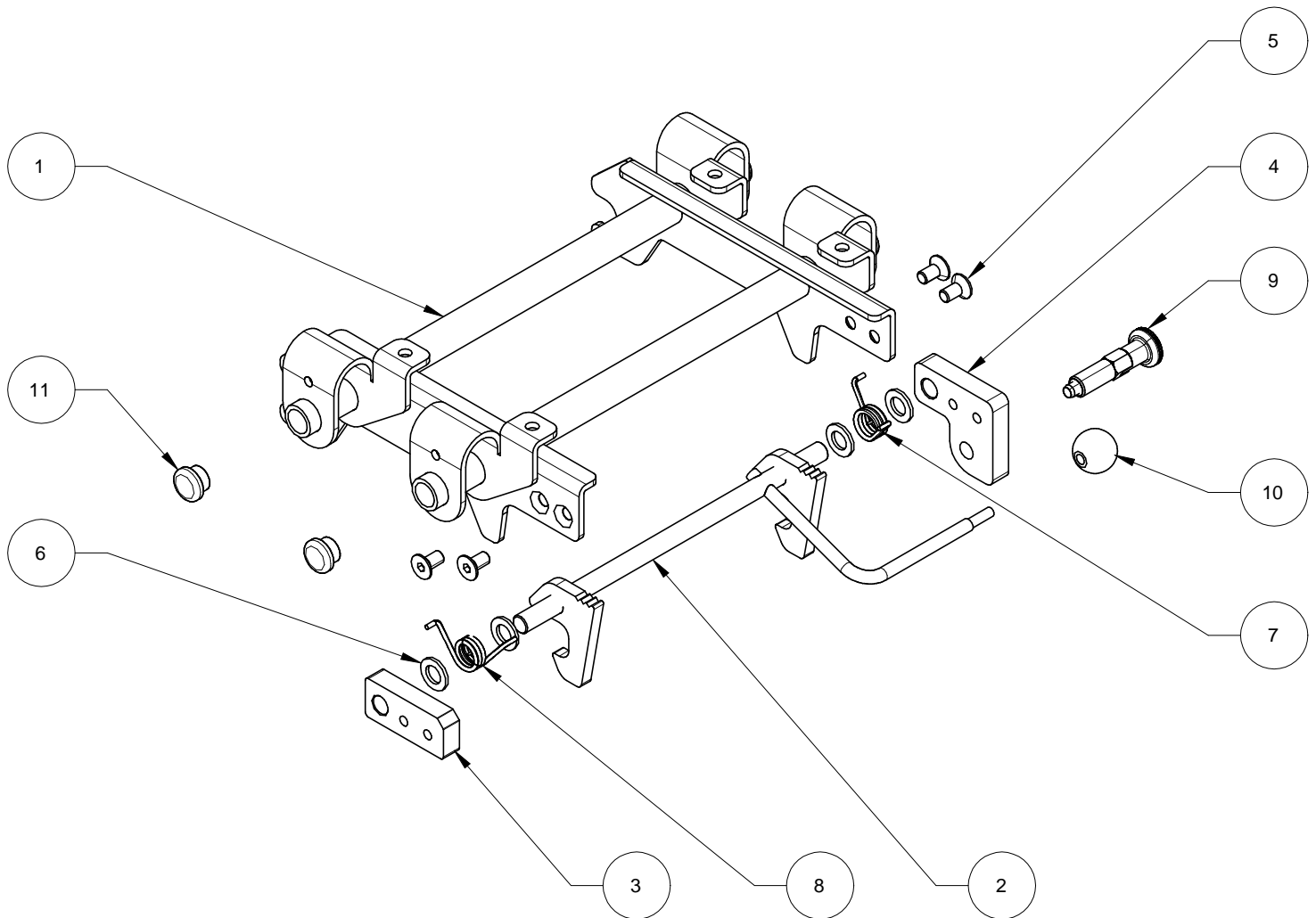


Snappi Interface All Models Parts List



Subject to technical alterations

Item Number	Part Number	Description	Qty Per Interface
1	NA	Interface framework	1
2	NA	Interface Clips	1
3	NA	Interface standard mounting block	1
4	NA	Interface safety clip mounting block	1
5	VIS07175-06X12	N6 x 12mm countersunk screw	4
6	SN5370	Nylon Washer	4
7	SN7420	Interface spring right handed	1
8	SN7410	Interface spring left handed	1
9	SN8317	Interface safety catch	1
10	SN8326	M6 x 20 Ball Knob	1
11	SN0037	16mm plastic end cap	4