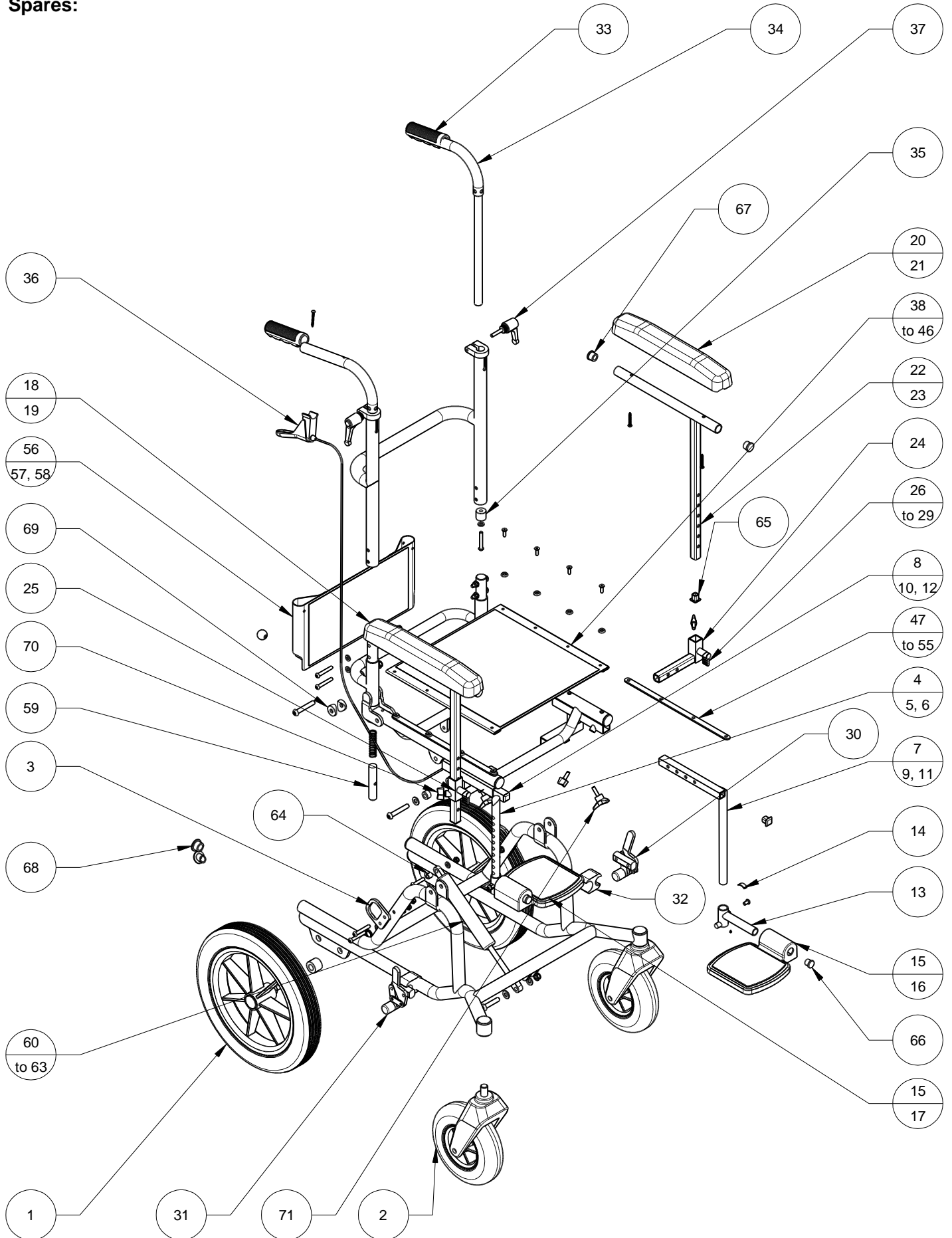


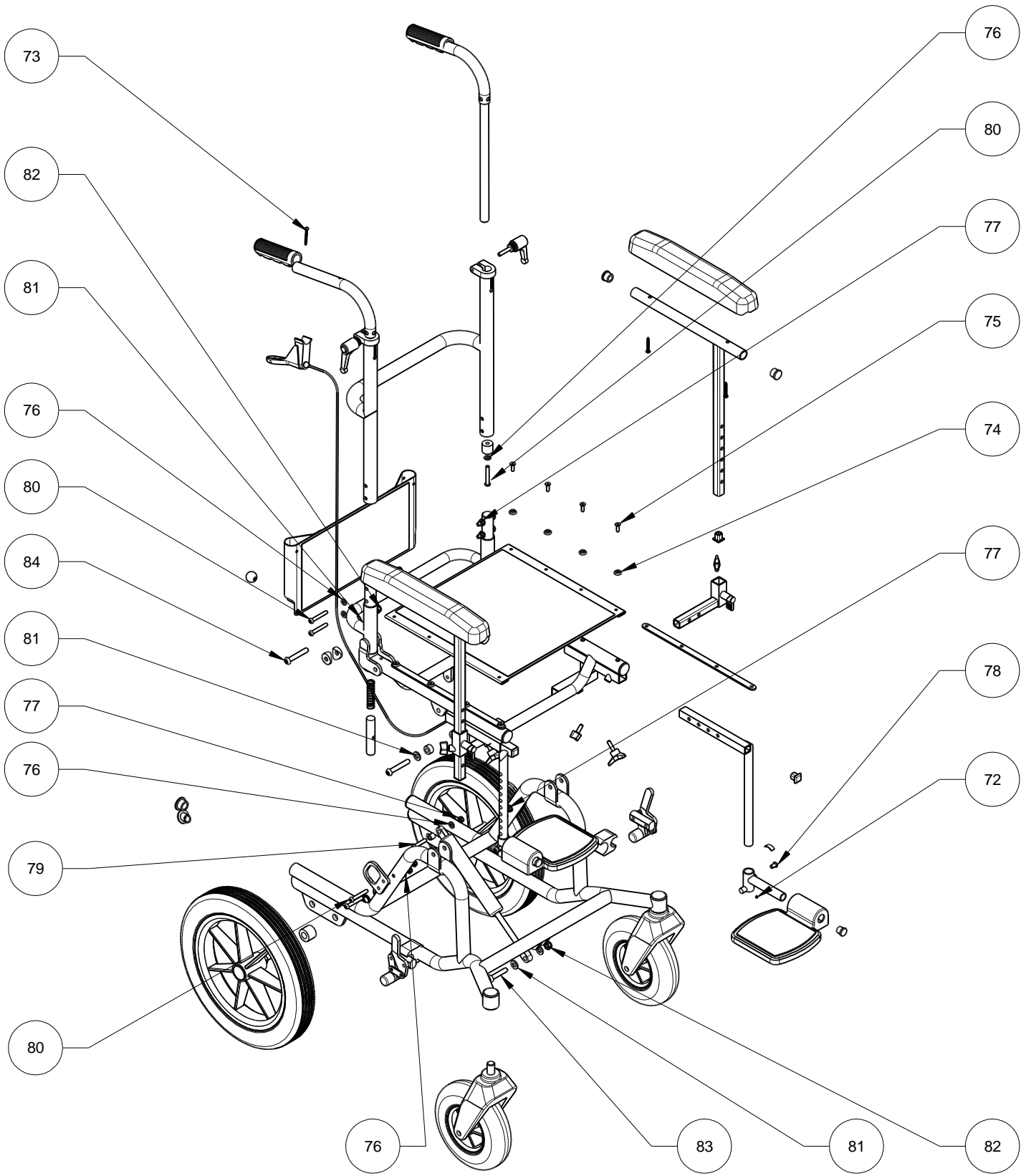
Mini Tilt- Supplied After 31 / 07 / 2013 Parts List

Spares:



Subject to technical alterations

Fasteners:



Subject to technical alterations

Mini Tilt- Supplied After 31 / 07 / 2013

Parts List



Item Number	Part Number	Description	Qty Per Chassis
1	TTF153	Rear Wheel	2
2	TC039	Front Castor Complete	2
3	053rkf011.4	Part: Tie Down Bracket	2
4	TC0037	Footrest Complete Set 12"	1
5	TC0043	Footrest Complete Set 14"	1
6	TC0050	Footrest Complete Set 16"	1
7	TC0040	12" Left Hand Footrest Vertical Stem	1
8	TC0041	12" Right Hand Footrest Vertical Stem	1
9	TC0038	14" Left Hand Footrest Vertical Stem	1
10	TC0039	14" Right Hand Footrest Vertical Stem	1
11	TC0053	16" Left Hand Footrest Vertical Stem	1
12	TC0052	16" Right Hand Footrest Vertical Stem	1
13	TC0042	All Models Footplate Bracket	2
14	TTF071	All Models Half Moon Spring Clip (Footrest)	2
15	TC041	Foot Plate 6" Wide (single - Fits 12" and 14" Mini Tilt)	2
16	TTF041	Foot Plate 7.5" Left Handed (for 16" Mini Tilt only)	1
17	TTF041A	Foot Plate 7.5" Right Handed (for 16" Mini Tilt only)	1
18	TC0044	Armrest Complete Set 12" / 14"	1
19	TC0046	Armrest Complete Set 16"	1
20	TC001	Armrest Pad 12" / 14"	2
21	TTF001	Armrest Pad 16"	2
22	TC002	12" / 14" Armrest Tube (Pair)	1
23	TC0021	16" Armrest Tube (Pair)	1
24	TC003	Armrest Lateral Tube Right Handed	1
25	TC004	Armrest Lateral Tube Left Handed	1
26	TSS9219	Plastic Lock Lever	2
27	TSS9220	Starlock Cap Washer	2
28	TSS9221	Lock Pin	2
29	TSS9223	Spring	2
30	070641.60006	Brake (includes clamp & standard slide assembly) Left Hand	1
31	07064160005	Brake (includes clamp & standard slide assembly) Right Hand	1
33	TTF010	Push Handle Grip (All Sizes)	2
34	054rkf1271	Push Handle (All Sizes)	2
35	TC412200	Natural Nylon Bush For Push Handle	2
36	TC7300	Tilt In Space Lever and Cable	1
37	TC090	Push Handle Locking Lever	2
38	TC6030	Seat Canvas 12" x 12"	1
39	TC6031	Seat Canvas 12" x 13"	1
40	TC6032	Seat Canvas 12" x 14"	1
41	TC6035	Seat Canvas 14" x 14"	1
42	TC6036	Seat Canvas 14" x 15"	1
43	TC6037	Seat Canvas 14" x 16"	1
44	TC6039	Seat Canvas 16" x 16"	1
45	TC6040	Seat Canvas 16" x 17"	1
46	TC6041	Seat Canvas 16" x 18"	1

Subject to technical alterations

Mini Tilt- Supplied After 31 / 07 / 2013 Parts List



Item Number	Part Number	Description	Qty Per Chassis
47	TC6359	Seat Canvas Rods 12" Pair (To fit 12" Mini Tilt)	1
48	TC6360	Seat Canvas Rods 13" Pair (To fit 12" Mini Tilt)	1
49	TC6361	Seat Canvas Rods 14" Pair (To fit 12" Mini Tilt)	1
50	TC6365	Seat Canvas Rods 14" Pair (To fit 14" Mini Tilt)	1
51	TC6362	Seat Canvas Rods 15" Pair (To fit 14" Mini Tilt)	1
52	TC6364	Seat Canvas Rods 16" Pair (To fit 14" Mini Tilt)	1
53	TC6366	Seat Canvas Rods 16" Pair (To fit 16" Mini Tilt)	1
54	TC6367	Seat Canvas Rods 17" Pair (To fit 16" Mini Tilt)	1
55	TC6368	Seat Canvas Rods 18" Pair (To fit 16" Mini Tilt)	1
56	TC6023	Half Height Back Canvas 12"	1
57	TC6027	Half Height Back Canvas 14"	1
58	TC6028	Half Height Back Canvas 16"	1
59	TTF0088	Locking Bolt Parts Set (includes bolt, spring, pin and ball knob)	2
60	TT7400	Gas Spring (Mini Tilt)*	1
61	TT7401	Release Head (784575)*	1
62	TT7402	Release Head Lever (783234)*	1
63	TT7403	M10 Lock Nut (012491)*	1
64	00549600002	Gas Spring Bushing	1
65	TS6080	16mm Plastic End Cap (square)	4
66	SN0037	16mm Plastic End Cap (round)	2
67	TS6075	19mm Plastic End Cap	4
68	SN5366	25mm Plastic End Cap	4
69	TC413200	25mm M8 x 3mm Saddle Washer	4
70	TS6070	28mm M6 x 16mm Wung Nut	4
71	F76445	45mm M6 x 20 3 lobe hand wheel	2
72	STABPP06X14Z	No. 6 x 1/4" pozi pan head self tapping screw	2
73	STABPP10X114Z	No. 10 x 1 1/4" pozi pan head self tapping screw	1
74	SSA2SCP910	No. 10 A2 Stainless Steel Screw Cup Washer	8
75	SKTMB05X16Z	M5 x 16mm Countersunk Pozi Head Screws	8
76	WAMA06Z	M6 Form A Washer	15
77	N986M06Z	M6 Nylock Dome Nut	9
78	SKTMB06X10Z	M6 x 10mm Socket ButtonScrew	2
79	SKTMB06X30Z	M6 x 30mm Socket Button Screw	1
80	SKTMB06X40Z	M6 x 40mm Socket Button Screw	10
81	WAMA08Z	M8 Form A Washer	8
82	N986M08Z	M8 Nylock Dome Nut	5
83	SKTMB08X35Z	M8 x 35mm Socket Button Screw	1
84	SKTMB08X50Z	M8 x 50mm Socket Button Screw	4
85	-	M12 Locking Washer (supplied with rear wheel, not available separately)	2
86	-	M12 Half Nut (supplied with rear wheel, not available separately)	2
128		brake assy	2

Subject to technical alterations