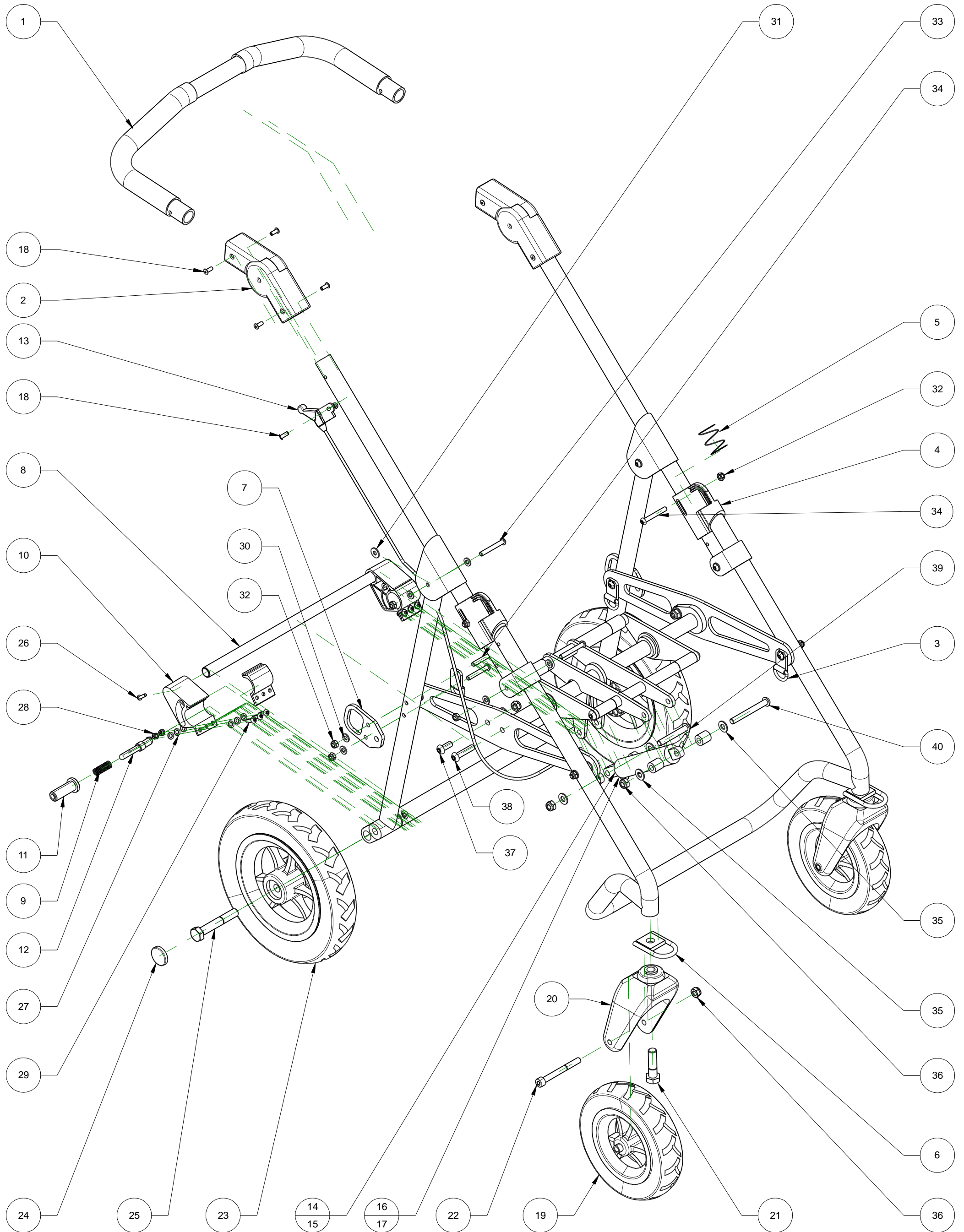


Snappi Chassis Pin Brake: All Models Parts List



Subject to technical alterations

Snappi Chassis Pin Brake: All Models Parts List



Item Number	Part Number	Description	Qty per chassis
1	SN6225 / SN6288	Handle Grip Size 1 / Handle Grip Size 2	2
2	TS6229 / B28090	Push Handle Adjustor (Complete) / Push Button For Push Handle Adjustor	2
3	SN5340 / SN5341	P Clip and D ring	4
4	SN6231	Frame Locking Slider	2
5	SN6233	Locking Slider Spring	2
6	053rkf011.8	Front Transit Tie Down Bracket	2
7	SN7435	Rear Transit Tie Down Bracket	2
8	053rkf011.9 / 053rkf021.9	Brake Bar Size 1 / Brake Bar Size 2	1
9	C5512280	Compresion Spring Pin Lock Brake	2
10	SN7432	Pin Lock Brake Actuator Plastics (Set of 4 parts)	1
11	056rkf100.2	Brake Lock Pin Bush	2
12	056rkf100.3	Brake Lock Pin	2
13	SN7300 or SN7300B	SN7300 - Tilt Cable Full, SN7300B - Cable end fittings only.	1
14	SN7402	Slow Release Gas Spring	1
15	TT7401	Gas Strut Release Head	1
16	TT7402	Gas Strut Release Head	1
17	TT7403	Gas Strut Release Head Lever	1
18	RVT110004812	Blind Rivet 4.8 x 14mm	10
19	SN6236	Front Castor	2
20	SN6244	Front Castor Housing	2
21	HTBM12X552	Front Castor Frame Bolt: M12 x 55 hex head bolt	2
22	SKTMCA008X750Z	Front Castor Wheel Bolt: M8 x 75 socket cap screw	2
23	SN6232	Rear Wheel 250mm with pin lock brake disc	2
24	SN6248	Rear Wheel Bolt Cap	2
25	HTBM12X90Z	Rear Wheel Bolt: M12 x 75 hex head bolt	2
26	SKTMB04X16Z	Brake Bar Fixings: M4 x 16 Socket Button Screw	2
27	WAMA05Z	M5 Form A Steel Washer	12
28	N986M05Z	M5 Nylock Dome Nut	6
29	SKTMB05X15Z	Brake Plastics Fixings: M5 x 16 Socket Button Screw	6
30	WAMC06Z	M6 Form C Steel Washer	14
31	NNYM06	M6 x1.6 Nylon Washer	12
32	N986B06Z	M6 Nylock Dome Nut	12
33	SKTMB06X45Z	Frame Fixings: M6 x 45 Socket Button Screw	6
34	SKTMB06X50Z	Frame Fixings: M6 x 50 Socket Button Screw	2
35	WAMA08Z	M8 Form A Steel Washer	6
36	N986M08Z	M8 Nylock Dome Nut	6
37	SKTMB08X25Z	Angle Lock Fixing: M8 x 25 Socket Button Screw	2
38	SKTMB08X35Z	Mid Frame Fixings: M8 x 35 Socket Button Screw	6
39	A2MB08X055	Lower Gas Strut Bolt: M8 x 55 Hex Bolt Stainless	1
40	A2MB08X070	Upper Gas Strut Bolt: M8 x 70 Hex Bolt Stainless	1
41	PAINT01	10ml Touch up Paint & Brush Colour Map 354F1 Grey (Anthracite)	1
42	PAINT02	400ml Spray Can Touch up Paint 354F1 Grey (Anthracite)	1

Subject to technical alterations