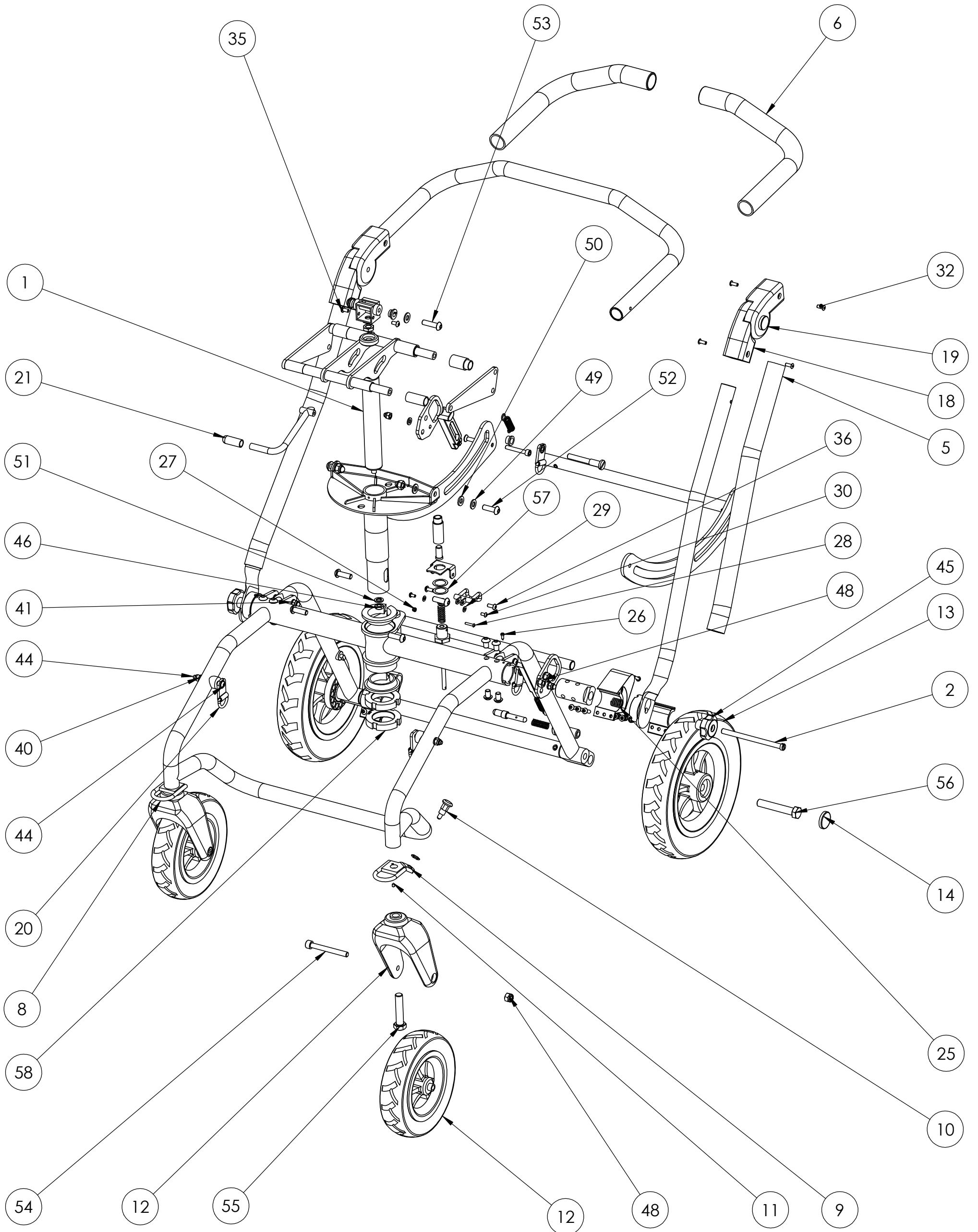
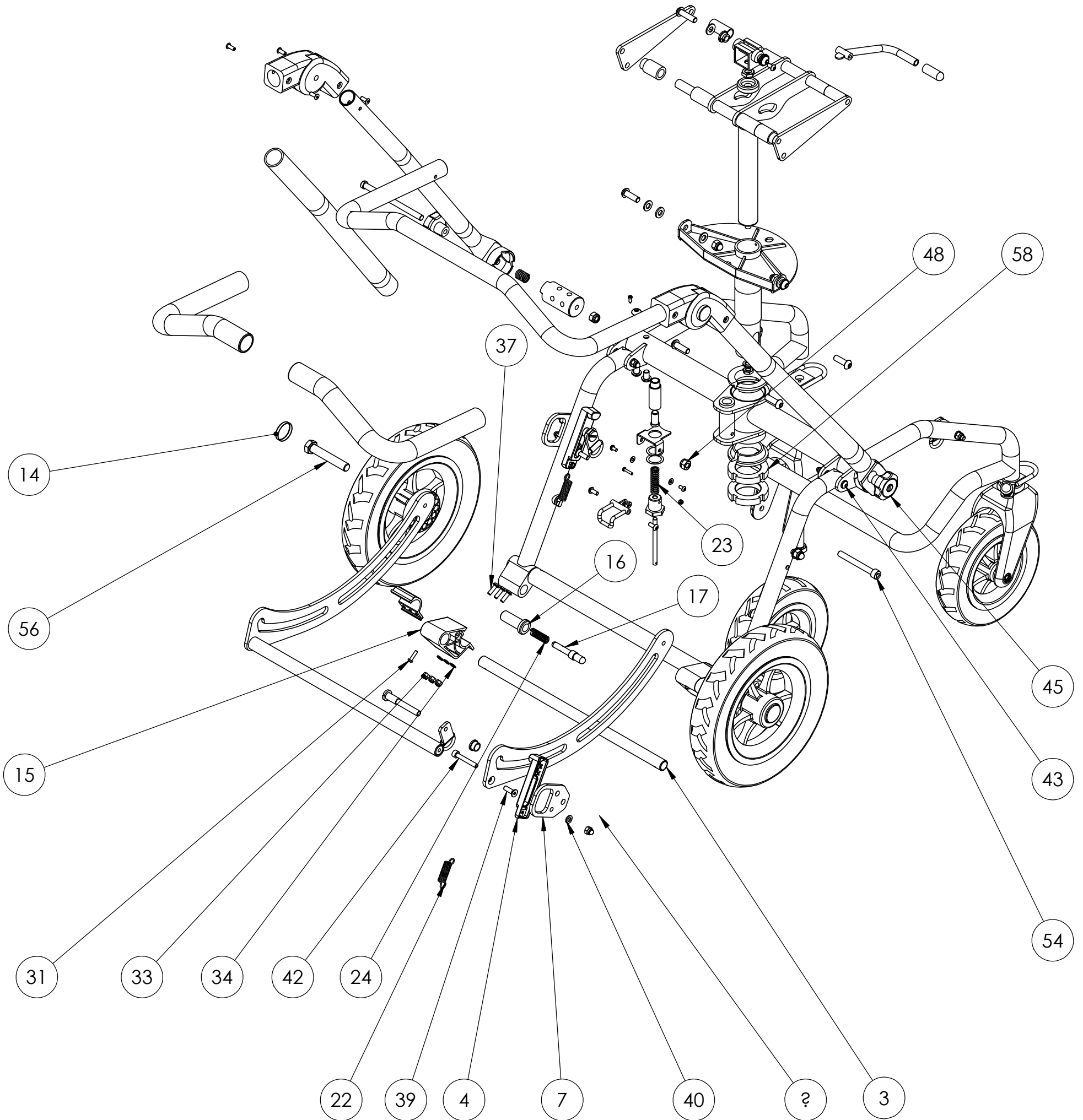


# Swirl Wheelbase Parts List



Subject to technical alterations

# Swirl Wheelbase Parts List



Subject to technical alterations

# Swirl Wheelbase Parts List

ITEM NO.	Part Code	Description	Qty per chassis
1	SW194569	Gas Strut, includes M10 Lock Nut	1
2	SW6275	Lower Push Handle Locking Lever	2
3	SW7551	Brake Bar Pin Lock Brake	1
4	SW7231	Slide lock	2
5	SW6225	Lower Push Handle Cover	2
6	SN6288	Swirl Handle Grips	2
7	SN7435	Rear Transit Tie Down Bracket	2
8	056rkf200RH	Tie Down Bucket With Direction Lock RH (Excludes Pin)	1
9	056rkf200LH	Tie Down Bucket With Direction Lock LH (Excludes Pin)	1
10	SN6237	Front Castor Locking Pin	2
11	SKA2MSC04X06	M4 x 6mm Setscrew Cone Point	2
12	SN6236 / SN6244	Front castor / Front Castor Housing	2
13	SN6232	Rear Wheel 250mm with pin lock brake disc	2
14	SN6248	Rear Wheel Bolt Cap	2
15	SN7432	Pin Lock Brake Actuator Plastics (Set of 4 parts)	1
16	056rkf100.2	Brake Lock Pin Bush	2
17	056rkf100.3	Brake Lock Pin	2
18	TS6229	Push Handle Adjustor (Complete)	2
19	B28090	Push Button For Push Handle Adjustor	2
20	SN5340 / SN5341	P Clip and D ring 6mm Hole	4
21	TS6267	TS6267 Handle Cover	1
22	SW011.20	Extension Spring Frame Lock	2
23	D22420	Compression Spring Rotation Lock	1
24	C5512280	Compression Spring Pin Lock Brake	2
25	C6613980A	Compression Spring Drop Handles	2
26	STABPP06X14Z	6 x 1/4" Type AB Pozi Pan Self Tapper Zinc	2
27	NNYMT03	M3 Nylock Type T Nut	1
28	SKTMB03X20Z	ISO 7380 - M3 x 16 --- 16N	1
29	WAMA04Z	M4 Form A Washer Zinc	2
30	SKTMB04X08Z	M4 x 8 Socket Button Zinc	2
31	RVTAL4010	4.0 x 10mm Pop Rivet	2
32	RVT110004812	Blind Rivet 4.8 x 14mm	8
33	N986M05Z	M5 Nylock Dome Nut	6
34	WAMA05Z	M5 Form A Washer	6
35	SKTMB05X10Z	M5 x 10 Socket Button Zinc	2
36	SKTMB05X12Z	M5 x 12 Socket Button Zinc	2
37	SKTMB05X16Z	M5 x 16 Socket Button Zinc	6
38	N986M06Z	M6 Nylock Dome Nut	6

Subject to technical alterations

# Swirl Wheelbase Parts List

ITEM NO.	Part Code	Description	Qty per chassis
39	MKTM060020Z	M6 x 20 Socket Countersunk Screw Zinc	2
40	WAMC06Z	Washer ISO 7089 - 6	4
41	WAMC06Z	Washer ISO 7089 - 6	4
42	SKMCP06X040Z	M6 x 40 Socket Capscrew Zinc	2
43	SKTMB06X50Z	M6 x 50 Socket Button Screw	2
44	SKTMB06X55Z	M6 x 55 Socket Button Screw	2
45	SN73140	M8 x 40 Female Threaded Hand Wheel	2
46	ISO4035M08Z	M8 Thin Nut	1
47	N986M08Z	M8 Nylock Dome Nut	4
48	NYTM08	M8 Type T Nylock Nut	4
49	WAM08Z	M8 Form A Washer Zinc	6
50	SN412200	8.2 x 16 x 2 Black Nylon Washer	2
51	DIN128WM08Z	M8 DIN 128 Spring Washer	1
52	SKTMB08X25Z	M8 x 25 Socket Button Screw	6
53	SKTMB08X30Z	M8 x 30 Socket Button Screw	2
54	SKTMCA008X750Z	M8 x 75 Socket Capscrew Zinc	2
55	HTBM12X55Z	M12 x 55 Hex Bolt Zinc	2
56	SHHM120070Z	M12 x 70 Hex Head Bolt Zinc	2
57	DIN988M18X25X02	18 x 25 x 0.2mm DIN 988 Shim Washer	2
58	SW3015	M38 x 1.5 Notch Nut Zinc	2
59	PAINT01	10ml Touch Up Paint & Brush Colour Map 354F1 Grey (Anthracite)	1
60	PAINT02	400ml Spray Can Touch Up Paint 354F1 Grey (Anthracite)	1

Subject to technical alterations