



Tendercare Ltd, PO Box 3091  
Littlehampton, BN16 2WF  
Tel 01903 726161, Fax 01903 734083  
Email info@tendercareltd.com  
www.tendercareltd.com

## SNAPPI® PUSHCHAIR



### Complete Pushchair Comprises:

Snappi® seat unit with quick release interface, padded upholstery, gas strut operated independent back recline, adjustable hip width and depth, adjustable seat depth, adjustable back height, adjustable knee angle and height adjustable flip up footrest. Snappi® chassis with swivelling front castors, gas strut operated tilt in space facility, pin lock brakes, height adjustable soft grip push handle, shopping basket and set of transit brackets fitted on forward facing models.

**Seat Only Comprises:** Snappi® seat unit with quick release interface, padded upholstery, gas strut operated independent back recline, adjustable hip width and depth, adjustable seat depth, adjustable back height, adjustable knee angle and height adjustable flip up footrest.

**Seat Minimiser Model Comprises:** Everything as supplied on the standard Snappi® Pushchair or Seat Only, and an additional 2.5" covered foot pad, 1" seat pad, 2" deeper side wings, 2" back pad - fits behind the back cover, bespoke back cover and bespoke side wing covers. Original back cover, side wings and covers supplied to allow conversion back to standard size 1 Snappi.

Client Name: \_\_\_\_\_

Contact Name: \_\_\_\_\_

Address: \_\_\_\_\_

Telephone No: \_\_\_\_\_

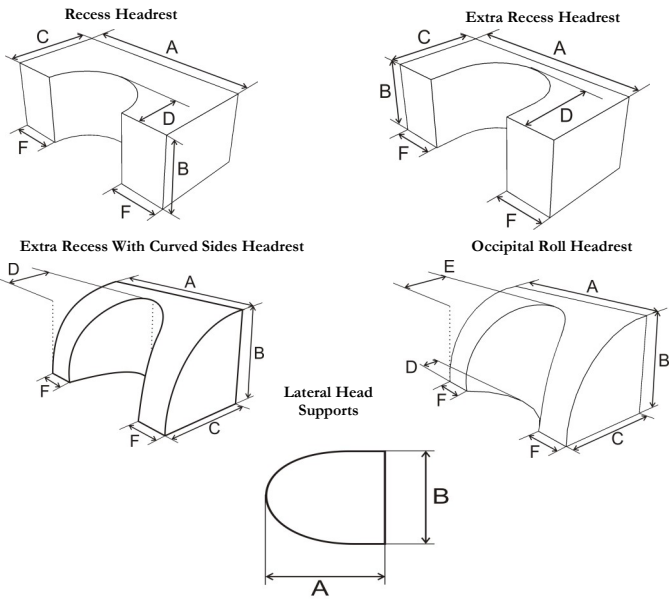
Fax No: \_\_\_\_\_

E-mail: \_\_\_\_\_

Specification	Size 1 (mm) with Seat Minimiser	Size 1 (mm)	Size 2 (mm)	SNAPPI® PUSHCHAIR COMPLETE
Seat Depth	140-295	195-295	290-390	Snappi® Pushchair with Minimiser - Complete <input type="checkbox"/> SN8000 (Maximum carrying weight of occupant & all accessories 40kg)
Seat Width	170-290	170-290	250-350	Snappi® Pushchair - Size 1 Complete <input type="checkbox"/> SN9000 (Maximum carrying weight of occupant & all accessories 40kg)
Back Height	475-675	500-675	540-760	Snappi® Pushchair - Size 2 Complete <input type="checkbox"/> SN9050 (Maximum carrying weight of occupant & all accessories 40kg)
Lower Leg Length (forward facing seat)	120-280	150-280	215-360	
Lower Leg Length (rearward facing seat)	120-280	150-280	N/A	
Seat Back Recline	90-135°	90-135°	90-135°	
Tilt in Space (forward facing seat)	0-40°	0-40°	0-35°	
Tilt in Space (rearward facing seat)	8-48°	8-48°	N/A	
External Chassis Dims Folded (LxWxH)	771 x 571 x 573	771 x 571 x 573	798 x 684 x 560	
Chassis Dims (LxWxH)	944 x 571 x 992	944 x 571 x 992	1052 x 684 x 998	
Weight	19.5kg	19kg	22kg	
Max. Carrying Weight	40kg	40kg	40kg	
<b>REARWARD SNAPPI® PUSHCHAIR</b>				
Rearward Snappi® Pushchair - Size 1 Complete with Seat Minimiser fitted <input type="checkbox"/> SN7000 (Maximum carrying weight of occupant & all accessories 40kg)				
Rearward Snappi® Pushchair - Size 1 Complete <input type="checkbox"/> SN6000 (Maximum carrying weight of occupant & all accessories 40kg)				
<i>Please note the Rearward Snappi® Pushchair is not suitable for transportation purposes and as such will be supplied without transit brackets. The Rearward Snappi® is not available in size 2</i>				
				<b>SNAPPI® SEAT ONLY</b>
				Snappi® Seat (with seat minimiser kit fitted) size 1 <input type="checkbox"/> SN8021
				Snappi® Seat size 1 <input type="checkbox"/> SN9021
				Snappi® Seat size 2 <input type="checkbox"/> SN9071
				<b>SNAPPI® SEAT/CHASSIS FACTORY FITTED UPGRADES</b>
				Dynamic Back <b>Upgrade</b> Size 1 & Minimiser <input type="checkbox"/> SN7403
				Dynamic Back <b>Upgrade</b> Size 2 <input type="checkbox"/> SN7404
				Dynamic Footrest <b>Upgrade</b> <input type="checkbox"/> SN7406
				Pneumatic Wheels <b>Upgrade</b> <input type="checkbox"/> SN6239
				Front Locking castors <b>Upgrade</b> <input type="checkbox"/> SN6238
				Push handle mounted attendant brakes - Hub <input type="checkbox"/> SN6259 (Upgrade option) - Standard foot operated brake is <b>removed</b> when this option is chosen.
				<b>INDOOR UNIT</b>
				Quick Indoor Base-For use with Size 1 & Minimiser <input type="checkbox"/> SN8666 <b>Maximum carrying weight including occupant and all accessories 50kg</b>
				Quick Indoor Base - For use with Size 2 <input type="checkbox"/> SN8667
				Pushing Bar (fits both sizes) <input type="checkbox"/> TH6667

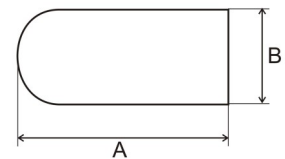
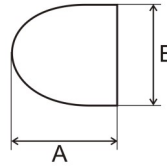
### HEADREST

### TRUNK SUPPORTS



#### Lateral Trunk Supports

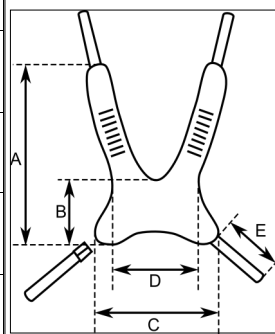
#### Lateral Trunk Supports with Chest Belt



(All Dimensions in mm)	✓	A	B
Lateral Trunk Supports Size 1 (Minimiser Only)	SN9845 <input type="checkbox"/>	115	100
Lateral Trunk Supports Size 1	SN9835 <input type="checkbox"/>	115	100
Lateral Trunk Supports Size 2	SN9836 <input type="checkbox"/>	155	135
Lateral Trunk Supports with Chest Belt - Size 1 (Minimiser Only)	SN9843 <input type="checkbox"/>	170	100
Lateral Trunk Supports with Chest Belt - Size 1	SN9833 <input type="checkbox"/>	170	100
Lateral Trunk Supports with Chest Belt - Size 2	SN9834 <input type="checkbox"/>	210	100

(All Dimensions in mm)	✓	A	B	C	D	E	F
Recess	SN9825 <input type="checkbox"/>	265	140	90	60	-	55
Extra Recess	SN9826 <input type="checkbox"/>	265	140	90	80	-	55
Extra Recess with curved sides	SN9828 <input type="checkbox"/>	265	140	90	80	-	40
Occipital Roll	SN9827 <input type="checkbox"/>	265	130	90	60	80	40
Lateral Head Size 1 (Minimiser Only)	SN9824 <input type="checkbox"/>	115	100	-	-	-	-
Lateral Head Size 1	SN9820 <input type="checkbox"/>	115	100	-	-	-	-
Lateral Head Size 2	SN9821 <input type="checkbox"/>	155	135	-	-	-	-

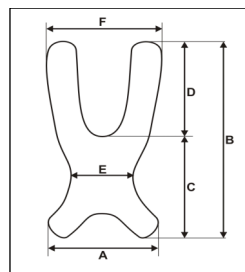
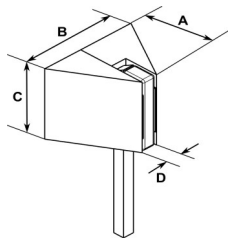
### KINETIC BALANCE® NEOPRENE HARNESS



(All Dimensions in mm)	Extra Small KB 5.71012.0 <input type="checkbox"/>	Small KB 5.71012.1 <input type="checkbox"/>
A	220	275
B	100	110
C	150	200
D	110	145
E	500	600

### POMMEL

### THOMAS HILFEN® (OLD STYLE) NEOPRENE HARNESS



(All Dimensions in mm)	✓	A	B	C	D
Pommel	SN9652 <input type="checkbox"/>	70	75	80	30

✓	Medium TH6585 <input type="checkbox"/>
A	190
B	325
C	110
D	190
E	100
F	250

### PELVIC STRAPS

Centre Pull 2 pt hip belt (metal push button) Extra Small <i>Kinetic Balance</i> ®	<input type="checkbox"/>	KB6.70003.0
Centre Pull 4 pt hip belt (metal push button) Extra Small <i>Bodypoint</i> ®	<input type="checkbox"/>	BES13241

## KINETIC BALANCE ANKLE POSITIONING CUFFS - Hoop & Loop Fastening

✓	Size	A (ankle circumference)
KB8.70001.0 <input type="checkbox"/>	Extra Small	180mm >
KB8.70001.1 <input type="checkbox"/>	Small	180mm - 220mm
KB8.70001.2 <input type="checkbox"/>	Medium	220mm - 260mm
KB8.70001.3 <input type="checkbox"/>	Large	260mm<

Measure over the rounded protuberance of the ankle (malleolus)



\*If a footpad is needed, ankle cuffs can only be used with footpads with a depth of 1" or less

### ACCESSORIES

- 1" Sacral Pad (**Fits under cover**) - Size 1 and Minimiser  SN9032
- 1/2" Sacral Pad (**Fits under cover**) - Size 1 and Minimiser  SN9029
- 1" Sacral Pad (**Fits under cover**) - Size 2  SN9042
- 1/2" Sacral Pad (**Fits under cover**) - Size 2  SN9049
- H Belt Harness (**Fits all sizes**)  TH6629/4
- Groin Adaptation Strap (**Requires either H Harness or 2 Point Hip Belt for fitting**)  TH6233
- Seat Wedge Pad - Size 1  SN9035
- Seat Wedge Pad - Size 2  SN9038
- Ramped (Anti Thrust Style) Seat Pad - Size 1  SN9037
- Ramped (Anti Thrust Style) Seat Pad - Size 2  SN9039
- Toe Straps- Pair - Fits both sizes (**Cam Buckle**)  TS6591
- Heel Straps - Pair - Fits both sizes (**Cam Buckle**)  TS6592
- Foam Pad for Footboard (**Covered**) 1" - Size 1  SN6657
- Foam Pad for Footboard (**Covered**) 2" - Size 1  SN6656
- Foam Pad for Footboard (**Covered**) 1" - Size 2  SN6658
- Foam Pad for Footboard (**Covered**) 2" - Size 2  SN6659
- Playtray (**Transparent**) - Size 1 & Minimiser  SN6596
- (Forward facing Snappis only)**
- Playtray (**Transparent**) - Size 2  SN6594
- Playtray (**Black**) - Size 1 & Minimiser  SN6593
- (Forward facing Snappis only)**
- Playtray (**Black**) - Size 2  SN6592
- Grip Rail - Size 1 & Minimiser (**Forward facing only**)  SN6711
- Grip Rail - Size 2  SN6721
- Frame Padding (**Fits all sizes**)  SN6817
- Equipment Carrying Tray\* - Size 1 & Minimiser  SN7306
- Equipment Carrying Tray\* with 02 Cut Out -Size 1 & Minimiser  SN7307
- \*Max Carrying Weight 25kg Size 1 Internal Dimensions are 330mm (length) x 360mm (width)**

- Equipment Carrying Tray\* - Size 2  SN7328
- Equipment Carrying Tray\* with 02 Cut Out Size 2  SN7329
- \*Max Carrying Capacity 25kg Size 2 Internal Dimensions are 355mm (length) x 430mm (width)**
- If you require straps to secure items in the equipment carrying tray, please do contact us to discuss your needs**
- Vertical Cylinder Carrier (**Suitable for 1L Bottles**)  TSS02
- Shopping Basket - Size 1 & Minimiser  SN7330
- (Max carrying capacity 3kg)**
- Shopping Basket - Size 2 (**Max carrying capacity 3kg**)  SN7331
- Raincover(**Transparent**)-Size 1 & Minimiser  SN6310
- (Forward facing only)**
- Raincover(**Transparent**) - Size 2  SN6512
- Sun Canopy - Umbrella Style (**Black**)  SN6334
- Sun Hood Complete – Covered Size 1 & Minimiser  SN6320
- Covered Size 2  SN6340
- Transparent Rain Shield for Sun/Rain Cover \*\***
- Size 1 & Minimiser  SN6325
- Size 2  SN6345
- \*\* This part must be ordered together with either the sun hood complete or the sun hood frame only to form a complete rain cover.**

### HARNESSING INFORMATION

We offer a comprehensive range of harness options of which our most popular are shown on this assessment form. Please contact us if you require alternate harnessing.

### BLACK FABRIC AND COLOUR OPTIONS

Please choose one colour option to coordinate with the black spacer fabric:

- |   |   |
|---|---|
| <ul style="list-style-type: none"> <li><input type="checkbox"/> Lime Green Side Wings, Hip Guide Covers &amp; Embroidery</li> <li><input type="checkbox"/> Red Side Wings, Hip Guide Covers &amp; Embroidery</li> <li><input type="checkbox"/> Grey Side Wings, Hip Guide Covers &amp; Embroidery</li> <li><input type="checkbox"/> Pink Piping &amp; Embroidery</li> </ul> | <ul style="list-style-type: none"> <li><input type="checkbox"/> Blue Side Wings, Hip Guide Covers &amp; Embroidery</li> <li><input type="checkbox"/> Magenta Side Wings, Hip Guide Covers &amp; Embroidery</li> <li><input type="checkbox"/> Red Piping &amp; Embroidery</li> </ul> |
|---|---|

**Any Additional Information / Special Requirements e.g. bespoke headrests, laterals, pressure relief foam, covers etc.**

**Client Background Information**