



Tendercare Ltd,
PO Box 3091
Littlehampton,
BN16 2WF
Tel 01903 726161,
Fax 01903 734083
Email info@tendercareltd.com

MODULAR SEATING SYSTEM ASSESSMENT FORM



Tilt & Fold Wheelbase

Discovery Base

Mini Tilt Wheelchair

Snappi Chassis & Interface

Client Name _____

Therapist _____

Address _____

Fax: _____ Tel No _____

Email: _____

Modular Seat Comprises: Back & Seat Boards, 1 x contoured back cushion, 1 x adjustable sacral pad, (In front of back cushion behind cover) multi positional adjustable headrest, ramped or flat seat cushion, thoracic pads (curved or straight), full length angle adjustable hip guides, cover set (Any fabric or colour combination).

PLEASE TICK EACH SECTION OF THE FORM

Unless stated all dimensions in mm

Please state actual client measurements in mm and kg

If you have any special requirements please provide information / diagrams in the space provided on page 3.

Measurements Taken By: _____

Date Measurements Taken: _____

1 Top of head to seat: _____

2 Top of shoulder to seat: _____

3 Under armpit to seat: _____
(Axilla Height)

4 Actual sitting depth: _____

5 Shoulder width: _____

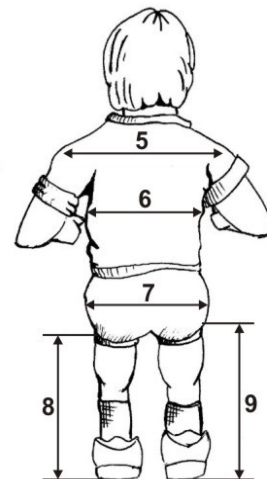
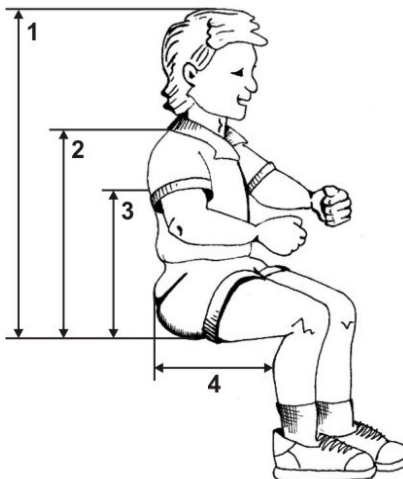
6 Chest width: _____
(Arm pit to arm pit)

7 Hip width: _____

8 Left leg drop: _____

9 Right leg drop: _____

10 Weight: _____ kg *



* Please check that combined weight of occupant and seating system does not exceed maximum carrying capacity of wheelbase.

PUSHCHAIR / WHEELCHAIR INFORMATION

Please supply the following information regarding the model and size of pushchair / wheelchair the seat will be used with. Note: The Modular Seat has passed impact tests when used with the Swirl® Chassis & Interface, Snappi® Chassis & Interface, Cloud Chassis & Interface, Tilt & Fold Wheelchair and Mini Tilt

Tendercare Buggy Wheelbases and Accessories:

Snappi Chassis and Interface - Size 1 Size 2

Swirl Chassis and Interface - Size 1 Size 2

Cloud Chassis and Interface - Size 1 Size 2

Playtray - Clear Playtray - Black

Equipment Carrying Tray

Equipment Carrying Tray with O2 Cut Out

Frame Padding

Wraparound Infill Panel (Snappi and Cloud Chassis Only)

Tendercare Mini Tilt Wheelchair and Accessories:

Mini Tilt Wheelchair 12 x 12" 14 x 14"
12 x 13" 14 x 15"

Half Height Back Canvas Full Height Back Canvas
No Back Canvas No Seat Canvas
Playtray (Clear) Playtray (Black)
Equipment Carrying Tray Wheelchair Footrest

Tendercare Tilt and Fold Wheelchair and Accessories:

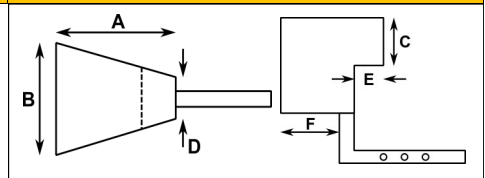
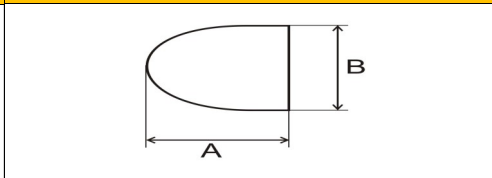
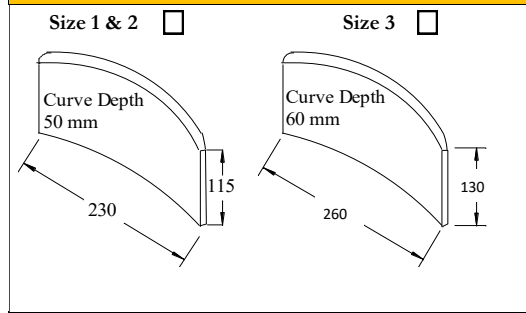
15 x 16" 17 x 17" Half Height Back Canvas
15 x 17" 17 x 18" Full Height Back Canvas
15 x 18" 17 x 19"
Wheelchair Footrest
Playtray (Black)

If not a Tendercare product please state Make, Model, Size and Base Width below:

STANDARD CURVED HEADREST
(multi positional adjustable headrest)

THORACIC PADS

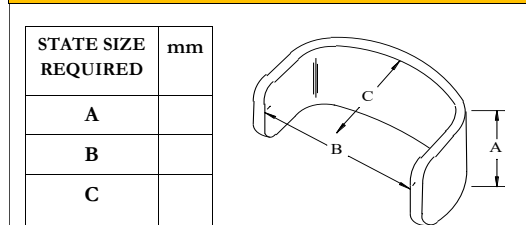
REMOVABLE POMMEL
(Up and over Style)



SPECIAL HEADREST - State size required

(All Dimensions in mm)	✓	A	B
Size 1		100	80
Size 2		120	100
Size 3		140	120
Size 4		180	140
Wraparound Style with Chest Belt		210	100
Special Size as marked (Not available for Wraparound style)			

(mm)	✓	A	B	C	D	E	F
Size 1 /2 TSS0439		100	80	See below	40	25	75
Size 3/4 TSS0440		125	90	See below	60	30	95
Special Size as marked TSS0441							



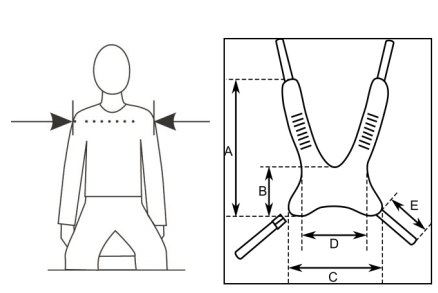
- TICK for swingaway upgrade option
- TICK for Curved Laterals
- TICK for Straight Laterals

Measurement C will be manufactured to fit flush with top of hip guides unless otherwise stated

ANTI - ROLL HEADREST TICK IF REQUIRED

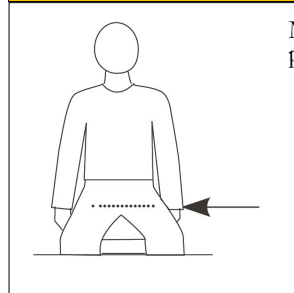
CHEST HARNESS

Shoulder width—Sizing chart (mm)	
Extra Small	240-280
Small	280 -330
Medium	330-410
Large	410-480



Size & Part code	Style	A	B	C	D	E	Tick
Extra Small KB 5.71012.0	Standard	210	100	140	110	600	
Small KB 5.71012.1	Standard	300	110	210	145	600	
Medium KB 5.71012.2	Standard	350	130	230	180	600	
Large KB 5.71012.3	Standard	400	135	250	200	600	
Medium 16303	Narrow/Female	385	180	305	90	-	
Large 16280	Narrow/Female	445	215	380	100	-	

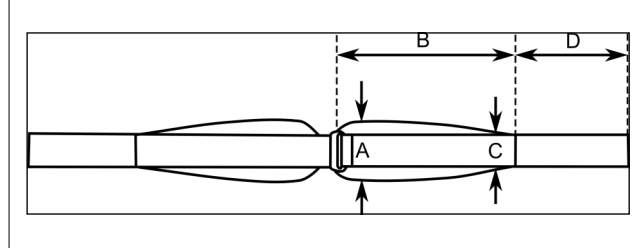
PADDED HIP BELTS



Measuring guide for pelvic positioning belt

Hip width - Sizing chart (mm)	
Extra Small	130- 220
Small	180 - 270
Medium	250- 370
Large	330 - 460

Size & Part code	Style	A	B	C	D	Tick
Extra Small KB6.70003.0	2 Point - Centre Pull (Push Button)	50	175	40	600	
Small 18666	2 Point - Centre Pull (Push Button)	65	220	40	600	
Medium KB6.70003.2	2 Point - Centre Pull (Push Button)	75	220	55	750	
Large KB6.70003.3	2 Point - Centre Pull (Push Button)	80	280	55	800	
Extra Small KB6.70043.0	4 Point - Centre Pull (Push Button)	50	175	40	600	
Small KB6.70043.1	4 Point - Centre Pull (Push Button)	70	175	50	650	
Medium KB6.70043.2	4 Point - Centre Pull (Push Button)	75	220	55	750	
Large KB6.70043.3	4 Point - Centre Pull (Push Button)	80	280	55	800	



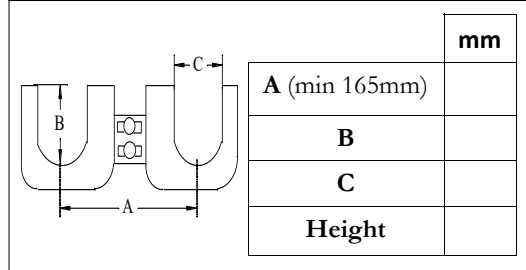
OTHER HARNESS REQUIREMENTS

For any other harness please state requirements

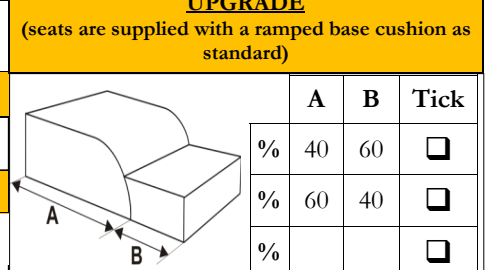
LEFT & RIGHT KNEE BLOCKS

BASE CUSHION

ANTI-THRUST BASE CUSHION UPGRADE



Platilon Seal <input type="checkbox"/>	Pressure Relief <input type="checkbox"/>
BACK CUSHION	
Platilon Seal <input type="checkbox"/>	Pressure Relief <input type="checkbox"/>
HIP ANGLE	
90° <input type="checkbox"/>	95° <input type="checkbox"/> 100° <input type="checkbox"/>

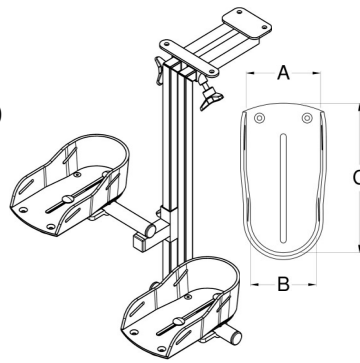
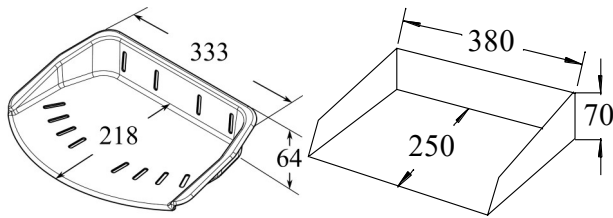


FOOT SUPPORT

SIZE 1 & 2 TSS0415

SIZE 3 & 4 TSS0514

Independent Angle Adjustable Footrest (excluding foot sandals) TSS0614



Footrest Sandals to be fitted to independent footrest				
Size	Toe (A)	Heel (B)	Length (C)	Tick
1 1171781	85mm	75mm	175mm	<input type="checkbox"/>
2 1172781	100mm	80mm	210mm	<input type="checkbox"/>
3 1173781	115mm	85mm	240mm	<input type="checkbox"/>
4 TSS0127	120mm	100mm	280mm	<input type="checkbox"/>

Tick all items as required

Heel Straps (included as standard)	<input type="checkbox"/>	Buckle	<input type="checkbox"/>	Velcro	<input type="checkbox"/>
Toe Straps	<input type="checkbox"/>	Buckle	<input type="checkbox"/>	Velcro	<input type="checkbox"/>

Dynamic Footrest Upgrade**

Padding to base**

Padding to side**

** Not applicable to independent footrest option

ANKLE CUFFS

(Hook & Loop Release) - Ankle Circumference (A)
mm

Extra Small	KB 8.70001.0	<180	<input type="checkbox"/>
Small	KB 8.70001.1	180-220	<input type="checkbox"/>
Medium	KB 8.70001.2	220-260	<input type="checkbox"/>
Large	KB 8.70001.3	>260	<input type="checkbox"/>



Measure
circumference as
above

COVER - COLOUR & FABRIC CHOICE - Please see website/user manual for properties of fabric

<p>AMBLA WILD HEATHER VINYL</p> <p><input type="checkbox"/> Red</p> <p><input type="checkbox"/> Green</p> <p><input type="checkbox"/> Mint Green</p> <p><input type="checkbox"/> Pink</p>	<p>JUST COLOURS VINYL</p> <p><input type="checkbox"/> Black</p> <p><input type="checkbox"/> Pillar Box Red</p> <p><input type="checkbox"/> Ocean Blue</p> <p><input type="checkbox"/> Candy (Hot Pink)</p> <p><input type="checkbox"/> Ultra Violet</p> <p><input type="checkbox"/> Citrus Green</p> <p><input type="checkbox"/> Cherry Blossom (pale pink)</p> <p><input type="checkbox"/> Cool Blue</p> <p><input type="checkbox"/> Battleship Grey</p> <p><input type="checkbox"/> Lilac</p> <p><input type="checkbox"/> Lupin (Bright Blue)</p> <p><input type="checkbox"/> Grape</p>	<p>AGUA STIRATA</p> <p><input type="checkbox"/> Black</p> <p><input type="checkbox"/> Hot Pink</p> <p><input type="checkbox"/> Crimson</p> <p><input type="checkbox"/> Lime Green</p> <p><input type="checkbox"/> Orange</p> <p><input type="checkbox"/> Purple</p> <p><input type="checkbox"/> Royal Blue</p> <p><input type="checkbox"/> Turquoise</p> <p><input type="checkbox"/> Mulberry</p> <p><input type="checkbox"/> Hot Pink Illusions</p> <p><input type="checkbox"/> Purple Illusions</p> <p><input type="checkbox"/> Orange Illusions</p> <p><input type="checkbox"/> Crimson Illusions</p>	<p>ASTRAKHAN</p> <p><input type="checkbox"/> Mazarine (Navy Blue)</p> <p><input type="checkbox"/> Blue/Grey</p>	<p>DARTEX</p> <p><input type="checkbox"/> Black</p>
<p>CONTRAST PIPING - To Headrest, Back Cushion & Hip Guides</p> <p>Not available with two tone colour arrangement or Dartex. (Additional charge applies)</p> <p><input type="checkbox"/> Red</p> <p><input type="checkbox"/> Pink</p> <p><input type="checkbox"/> Black</p>				
<p>TWO-TONE - Primary colour to front of Headrest, front of back cushion and top/front of seat cushion <input type="checkbox"/></p> <p>If required please tick above fabric options and mark both Primary colour choice and Secondary colour choice below.</p> <p>(Please choose both colours from same fabric range)</p> <p>Primary _____ Secondary _____</p>				

Any Additional Information / Sketches: