



Tendercare Ltd
PO Box 3091
Littlehampton
BN16 2WF
Tel 01903 726161
Fax 01903 734083
Email info@tendercareltd.com
www.tendercareltd.com

Client Name _____

Contact Name _____

Address _____

Telephone No _____

Fax No _____

E-mail _____

SWIFTY (SIZE 2) PUSHCHAIR



Complete Includes:- Foldable Chassis with Integrated Seat Unit, Padded H Belt, Breathable Fire Retardant Upholstery, Multi-Positional back recline. Fixed Seat Tilt-in-Space 20°, Height Adjustable Footrest, Flip Up Footrest, Swivelling Front Wheels, Rear Brakes, Height Push Bar, Slot for Pommel/Abduction Block with Zip, Shopping Basket, Sun/Raincover (Hood & Leg Cover) and Set of Tie Down Transportation Brackets fitted.

SPECIFICATIONS

Specifications	Swiftly 2
Seat Depth - adjustable with pads	315 - 375mm
Seat Width - adjustable with pads	220 - 395mm
Back Height	700mm
Lower Leg Length	210 - 370mm
Hip Angle	90° -100°
Foot Angle	90°
Measurement footrest (w x d)	310 x 200mm
Seat Tilt	20°
Total (w x h x d)	670 x 1130 x 980mm
Folded Measurements	670 x 490 x 790mm
Weight	18.2kg
Max Weight Capacity	50kg
Upholstery Colour	Black

SWIFTY (Size 2) PUSHCHAIR

Please tick model required:

Note: The Swiftly Pushchair has been impact tested and is suitable for use as a vehicle seat. It is supplied with the Tie Down Transportation Brackets fitted.

Swiftly 2 — Complete TH6808

Maximum Carrying Weight of Occupant and all accessories 50kg

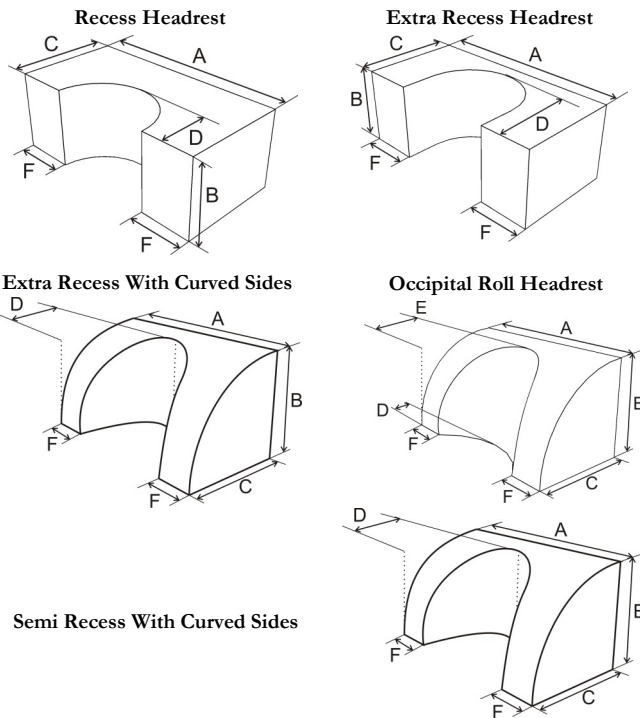
SWIFTY FACTORY FITTED UPGRADES

Front Locking castors (Upgrade charge)	<input type="checkbox"/> TH6238
Push Handle mounted attendant brakes - Hub (Upgrade Option) - Standard foot operated brake is removed when this option is chosen	<input type="checkbox"/> SN6259
Pneumatic Wheels(Upgrade charge)	<input type="checkbox"/> SN6239

ACCESSORIES

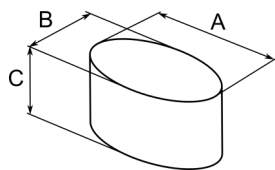
1" Seat depth reduction back pad (Fits under cover)	<input type="checkbox"/> TH9052
2" Seat depth reduction back pad = 2 x 1" pads - (Fits under cover)	<input type="checkbox"/> TH9055
½" Sacral Pad (Fits under cover)	<input type="checkbox"/> TH9042
1" Sacral Pad (Fits under cover)	<input type="checkbox"/> TH9049
1" Side Pads (Pair)	<input type="checkbox"/> TH6934
1.5" Side Pads (Pair)	<input type="checkbox"/> TH6936
2" Side Pads (Pair)	<input type="checkbox"/> TH6935
2.5" Side Pads (Pair)	<input type="checkbox"/> TH6937
Seat Wedge Pad *(not suitable for use with pommel)	<input type="checkbox"/> TH6322
Ramped (Anti thrust style) seat pad	<input type="checkbox"/> TH6324
Groin Adaptation Strap (Requires H Harness or 2 point Hip Belt for fitting. Not suitable for use with pommel)	<input type="checkbox"/> TH6233
Heel Straps - Pair (Cam Buckles)	<input type="checkbox"/> TS6592
Toe Straps - Pair (Cam Buckles)	<input type="checkbox"/> TS6591
1" Foam Pad for Footboard (covered)	<input type="checkbox"/> TH6663
2" Foam Pad for Footboard (covered)	<input type="checkbox"/> TH6664
Frame Padding	<input type="checkbox"/> TH6622/4
Shopping Basket (Max carrying capacity 3kg)	<input checked="" type="checkbox"/> TH66835
Playtray - Transparent	<input type="checkbox"/> TH6728
Grip Rail	<input type="checkbox"/> TH6721
Raincover—Transparent	<input type="checkbox"/> TH6838/4
Sleeping Bag - Woven Fur	<input type="checkbox"/> TH6718/4
Sun/Raincover (Hood & Leg Cover) Black Fabric	<input checked="" type="checkbox"/> TH6637/4
Sun/Raincover (Hood Only) Black Fabric **	<input type="checkbox"/> TH6637/61
Transparent Rain Shield for Sun/Raincover **	<input type="checkbox"/> TH6739
** These parts must be ordered together to form a complete rain cover	
Sun Canopy - Umbrella Type	<input type="checkbox"/> TH6594

HEADREST



(All Dimensions in mm)	✓	A	B	C	D	E	F
Recess	TH6885 <input type="checkbox"/>	265	130	90	60	-	40
Extra Recess	TH6886 <input type="checkbox"/>	265	130	90	80	-	40
Extra Recess with curved sides	TH6888 <input type="checkbox"/>	265	130	90	80	-	40
Semi Recess with curved sides	TH6889 <input type="checkbox"/>	220	140	130	110	-	40
Occipital Roll	TH6887 <input type="checkbox"/>	265	130	90	60	80	40

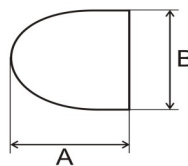
POMMEL



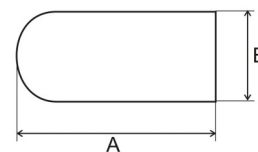
(All Dimensions in mm)	✓	A	B	C
Pommel (Size 2) TH 6720/4		110	70	105

TRUNK SUPPORTS

Lateral Trunk Supports

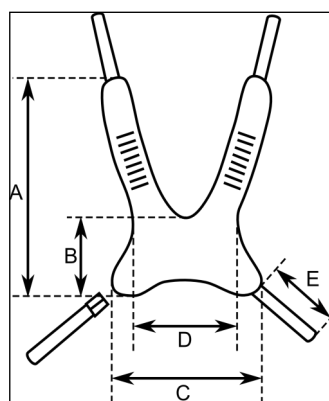


Lateral Trunk Supports with Chest Belt



(All Dimensions in mm)	✓	A	B
Lateral Trunk Supports (Fixed)	TH 6734/4 <input type="checkbox"/>	150	170
Lateral Trunk Supports with Chest Belt	TH 6633 <input type="checkbox"/>	220	100
Bolt Extension Kit (required if back pad is needed)	<input type="checkbox"/>		

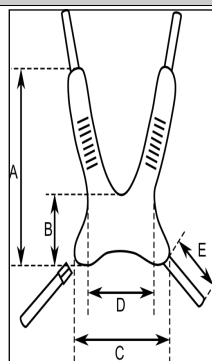
KINETIC BALANCE® NEOPRENE HARNESS (Flexible)



All Dimensions in mm		
✓	Small KB 5.71012.1 <input type="checkbox"/>	Medium KB 5.71012.2 <input type="checkbox"/>
A	275	350
B	110	130
C	200	230
D	145	180
E	600	600

If harness to be fitted in lowest cover slots. Please tick (unless indicated harness will come fitted in middle slots)

PAEDIATRIC SLIM FIT CHEST HARNESS (IN MM)



✓	KB.CHEST.TDC <input type="checkbox"/>
A	210
B	110
C	115
D	55
E	580

PELVIC STRAPS

- Centre Pull 2 pt hip belt (metal push button) Small *Kinetic Balance*® KB6.70003.1
- Centre Pull 4 pt hip belt (metal push button) Small *Kinetic Balance*® KB6.70043.1

KINETIC BALANCE ANKLE POSITIONING CUFFS - Hoop & Loop Fastening

✓	Size	A (ankle circumference)
<input type="checkbox"/> KB8.70001.1	Small	180mm < 220mm
<input type="checkbox"/> KB8.70001.2	Medium	220mm < 260mm
<input type="checkbox"/> KB8.70001.3	Large	260mm <

Measure over the rounded protuberance of the ankle (malleolus)



*If a footpad is needed, ankle cuffs can only be used with footpads with a depth of 1" or less

