



Tendercare Ltd, PO Box 3091  
Littlehampton, BN16 2WF  
Tel 01903 726161, Fax 01903 734083  
Email info@tendercareltd.com  
www.tendercareltd.com

## SNAPPI® CLOUD® PUSHCHAIR



### Complete Pushchair Comprises:

Snappi® seat unit with quick release interface, padded upholstery, gas strut operated independent back recline, adjustable hip width and depth, adjustable seat depth, adjustable back height, adjustable knee angle and height adjustable flip up footrest. Cloud® chassis with swivelling front castors, gas strut operated tilt in space facility, pin lock brakes, height adjustable soft grip push handle and set of transit brackets fitted.

**Seat Only Comprises:** Snappi® seat unit with quick release interface, padded upholstery, gas strut operated independent back recline, adjustable hip width and depth, adjustable seat depth, adjustable back height, adjustable knee angle and height adjustable flip up footrest.

**Seat Minimiser Model Comprises:** Everything as supplied on the standard Snappi® Pushchair or Seat Only, and an additional 2.5" covered foot pad, 1" seat pad, 2" deeper side wings, 2" back pad - fits behind the back cover, bespoke back cover and bespoke side wing covers. Original back cover, side wings and covers supplied to allow conversion back to standard size 1 Snappi.

Client Name: \_\_\_\_\_

Contact Name: \_\_\_\_\_

Address: \_\_\_\_\_

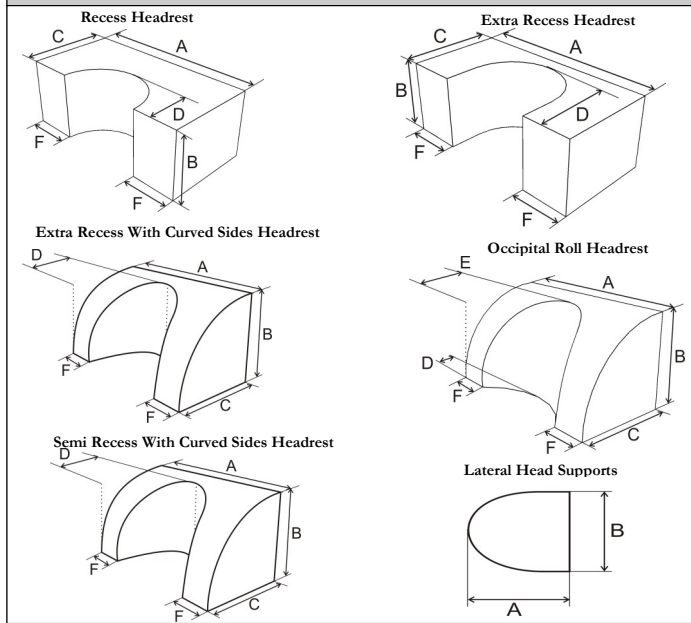
Telephone No: \_\_\_\_\_

Fax No: \_\_\_\_\_

E-mail: \_\_\_\_\_

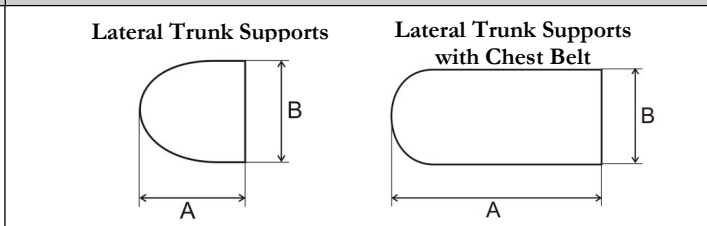
Specification	Size 1 (mm) with Seat Minimiser	Size 1 (mm)	Size 2 (mm)	SNAPPI® CLOUD® PUSHCHAIR
Seat Depth	140-295	195-295	290-390	Snappi® Cloud Pushchair with Minimiser -Complete <input type="checkbox"/> CL8000 (Maximum carrying weight of occupant & all accessories 55kg)
Seat Width	170-290	170-290	250-350	Snappi® Cloud Pushchair - Size 1 Complete <input type="checkbox"/> CL9000 (Maximum carrying weight of occupant & all accessories 55kg)
Back Height	475-675	500-675	540-760	Snappi® Cloud Pushchair - Size 2 Complete <input type="checkbox"/> CL9050 (Maximum carrying weight of occupant & all accessories 55kg)
Lower Leg Length (forward facing seat)	120-280	150-280	215-360	
Lower Leg Length (rearward facing seat)	120-280	150-280	N/A	
Seat Back Recline	90-140°	90-140°	90-140°	
Tilt in Space (forward facing seat)	0-36°	0-36°	10-46°	
Tilt in Space (rearward facing seat)	8-48°	8-48°	N/A	
Chassis Folded Dims (LxWxH)	880x610x300	880x610x300	920x670x330	
External Chassis Size (LxWxH)	930x610x1200	930x610x1200	990x670x1220	
Weight	20.9kg	20.4kg	23.2kg	
Max. Carrying Weight	55kg	55kg	55kg	
<b>REARWARD SNAPPI® CLOUD® PUSHCHAIR</b>				
Rearward Snappi® Cloud Pushchair - Size 1 with Seat Minimiser fitted <input type="checkbox"/> CL7000 (Maximum carrying weight of occupant & all accessories 55kg)				
Rearward Snappi® Cloud Pushchair - Size 1 <input type="checkbox"/> CL6000 (Maximum carrying weight of occupant & all accessories 55kg)				
<i>Please note the Rearward Snappi® Cloud® Pushchair is not suitable for transportation purposes. The Rearward Snappi® Cloud® is not available in Size 2</i>				
				<b>SNAPPI® SEAT ONLY</b>
				Snappi® Seat (with seat minimiser kit fitted) size 1 <input type="checkbox"/> SN8021
				Snappi® Seat size 1 <input type="checkbox"/> SN9021
				Snappi® Seat size 2 <input type="checkbox"/> SN9071
				<b>SNAPPI® SEAT/ CLOUD® CHASSIS FACTORY FITTED UPGRADES</b>
				Dynamic Back <b>Upgrade</b> Size 1 & Minimiser <input type="checkbox"/> SN7403
				Dynamic Back <b>Upgrade</b> Size 2 <input type="checkbox"/> SN7404
				Dynamic Footrest <b>Upgrade</b> <input type="checkbox"/> SN7406
				Pneumatic Wheels <b>Upgrade</b> <input type="checkbox"/> SN6239
				Push handle mounted attendant brakes - Hub (Upgrade option) - Standard foot operated brake is <b>removed</b> when this option is chosen. <input type="checkbox"/> SN6259
				Lockable Front Castors <b>Upgrade</b> <input type="checkbox"/> CL6238
				<b>INDOOR UNIT</b>
				Quick Indoor Base-For use with Size 1 & Minimiser <input type="checkbox"/> SN8666 <b>Maximum carrying weight including occupant and all accessories 50kg</b>
				Quick Indoor Base - For use with Size 2 <input type="checkbox"/> SN8667
				Pushing Bar (fits both sizes) <input type="checkbox"/> TH6667

## HEADREST



(All Dimensions in mm)	✓	A	B	C	D	E	F
Recess	SN9825 <input type="checkbox"/>	265	130	90	60	-	40
Extra Recess	SN9826 <input type="checkbox"/>	265	130	90	80	-	40
Extra Recess with curved sides	SN9828 <input type="checkbox"/>	265	130	90	80	-	40
Semi Recess with curved sides	SN9829 <input type="checkbox"/>	220	140	130	110	-	40
Occipital Roll	SN9827 <input type="checkbox"/>	265	130	90	60	80	40
Lateral Head Size 1 (Minimiser Only)	SN9824 <input type="checkbox"/>	115	100	-	-	-	-
Lateral Head Size 1	SN9820 <input type="checkbox"/>	115	100	-	-	-	-
Lateral Head Size 2	SN9821 <input type="checkbox"/>	155	135	-	-	-	-

## TRUNK SUPPORTS



(All Dimensions in mm)	✓	A	B
Lateral Trunk Supports Size 1 (Minimiser Only)	SN9845 <input type="checkbox"/>	115	100
Lateral Trunk Supports Size 1	SN9835 <input type="checkbox"/>	115	100
Lateral Trunk Supports Size 2	SN9836 <input type="checkbox"/>	155	135
Lateral Trunk Supports with Chest Belt - Size 1 (Minimiser Only)	SN9843 <input type="checkbox"/>	170	100
Lateral Trunk Supports with Chest Belt - Size 1	SN9833 <input type="checkbox"/>	170	100
Lateral Trunk Supports with Chest Belt - Size 2	SN9834 <input type="checkbox"/>	210	100
6" Webbing Extension (for lateral trunk supports with chest belt)	SN9884 <input type="checkbox"/>	n/a	n/a

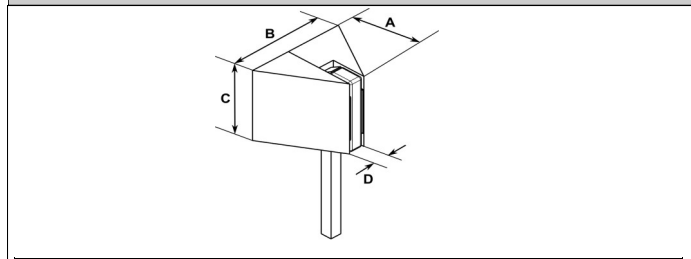
## KINETIC BALANCE® NEOPRENE HARNESS

(All Dimensions in mm)	Extra Small KB 5.71012.0 <input type="checkbox"/>	Small KB 5.71012.1 <input type="checkbox"/>
A	220	275
B	100	110
C	150	200
D	110	145
E	500	600

## PAEDIATRIC SLIM FIT CHEST HARNESS (IN MM)

✓	KB.CHEST.TDC <input type="checkbox"/>
A	210
B	110
C	115
D	55
E	580

## POMMEL



(All Dimensions in mm)	✓	A	B	C	D
Pommel	SN9652 <input type="checkbox"/>	70	75	80	30

## PELVIC STRAPS

Centre Pull 2 pt hip belt (metal push button) Extra Small <i>Kinetic Balance</i> ®	<input type="checkbox"/>	KB6.70003.0
Centre Pull 4 pt hip belt (metal push button) Extra Small <i>Bodypoint</i> ®	<input type="checkbox"/>	BES13241

## KINETIC BALANCE ANKLE POSITIONING CUFFS - Hoop & Loop Fastening

✓	Size	A (ankle circumference)
KB8.70001.0 <input type="checkbox"/>	Extra Small	180mm >
KB8.70001.1 <input type="checkbox"/>	Small	180mm - 220mm
KB8.70001.2 <input type="checkbox"/>	Medium	220mm - 260mm
KB8.70001.3 <input type="checkbox"/>	Large	260mm<

Measure over the rounded protuberance of the ankle (malleolus)



\*If a footpad is needed, ankle cuffs can only be used with footpads with a depth of 1" or less

### ACCESSORIES

1" Sacral Pad ( <b>Fits under cover</b> ) - Size 1 and Minimiser <input type="checkbox"/> SN9032	Playtray ( <b>Black</b> ) - Size 1 & Minimiser <input type="checkbox"/> SN6593
½" Sacral Pad ( <b>Fits under cover</b> ) - Size 1 and Minimiser <input type="checkbox"/> SN9029	<b>(Forward facing only)</b>
1" Sacral Pad ( <b>Fits under cover</b> ) - Size 2 <input type="checkbox"/> SN9042	Playtray ( <b>Black</b> ) - Size 2 <input type="checkbox"/> SN6592
½" Sacral Pad ( <b>Fits under cover</b> ) - Size 2 <input type="checkbox"/> SN9049	Grip Rail - Size 1 & Minimiser ( <b>Forward facing only</b> ) <input type="checkbox"/> SN6711
H Belt Harness ( <b>Fits all sizes</b> ) <input type="checkbox"/> TH6629/4	Grip Rail - Size 2 <input type="checkbox"/> SN6721
Groin Adaptation Strap ( <b>Requires either H Harness or 2 Point Hip Belt for fitting</b> ) <input type="checkbox"/> TH6233	Frame Padding ( <b>Fits all sizes</b> ) <input type="checkbox"/> SN6817
Seat Wedge Pad - Size 1 <input type="checkbox"/> SN9035	L/H Vertical Cylinder Carrier ( <b>Suitable for 1L Bottles</b> )* <input type="checkbox"/> TSS03
Seat Wedge Pad - Size 2 <input type="checkbox"/> SN9038	R/H Vertical Cylinder Carrier ( <b>Suitable for 1L Bottles</b> )* <input type="checkbox"/> TSS03
Seat Wedge - Anti Thrust Style - Size 1 <input type="checkbox"/> SN9037	<b>*Maximum two per chassis</b>
Seat Wedge - Anti Thrust Style - Size 2 <input type="checkbox"/> SN9039	Sun Hood Complete – Size 1 & Minimiser <input type="checkbox"/> SN6320
Toe Straps - Pair - Fits both sizes ( <b>Cam Buckle</b> ) <input type="checkbox"/> TS6591	Size 2 <input type="checkbox"/> SN6340
Heel Straps - Pair - Fits both sizes ( <b>Cam Buckle</b> ) <input type="checkbox"/> TS6592	<b>Transparent Rain Shield for Sun/Rain Cover **</b>
Foam Pad for Footboard ( <b>Covered</b> ) 1" - Size 1 <input type="checkbox"/> SN6657	Size 1 & Minimiser <input type="checkbox"/> SN6325
Foam Pad for Footboard ( <b>Covered</b> ) 2" - Size 1 <input type="checkbox"/> SN6656	Size 2 <input type="checkbox"/> SN6345
Foam Pad for Footboard ( <b>Covered</b> ) 1" - Size 2 <input type="checkbox"/> SN6658	<b>** This part must be ordered together with either the sun hood complete to form a complete rain cover.</b>
Foam Pad for Footboard ( <b>Covered</b> ) 2" - Size 2 <input type="checkbox"/> SN6659	Shopping Basket - Size 1 and 2 (max 10kg) <input type="checkbox"/> CL7330
Playtray ( <b>Transparent</b> ) - Size 1 & Minimiser ( <b>Forward facing only</b> ) <input type="checkbox"/> SN6596	Equipment Carrying Tray - Size 1 (max 25kg) <input type="checkbox"/> CL7306
Playtray ( <b>Transparent</b> ) - Size 2 <input type="checkbox"/> SN6594	Equipment Carrying Tray - Size 2 (max 25kg) <input type="checkbox"/> CL7307
	Footmuff - (Snappi Size 1) <input type="checkbox"/> SN9829

### HARNESSING INFORMATION

We offer a comprehensive range of harness options of which our most popular are shown on this assessment form.

Please contact us if you require alternate harnessing.

### BLACK FABRIC AND COLOUR OPTIONS

Please choose one colour option to coordinate with the black spacer fabric:

- |   |  |
|---|--|
| <input type="checkbox"/> Lime Green Side Wings, Hip Guide Covers & Embroidery | <input type="checkbox"/> Blue Side Wings, Hip Guide Covers & Embroidery    |
| <input type="checkbox"/> Red Side Wings, Hip Guide Covers & Embroidery        | <input type="checkbox"/> Magenta Side Wings, Hip Guide Covers & Embroidery |
| <input type="checkbox"/> Grey Side Wings, Hip Guide Covers & Embroidery       | <input type="checkbox"/> Red Piping & Embroidery                           |
| <input type="checkbox"/> Pink Piping & Embroidery                             |  |

**Any Additional Information / Special Requirements e.g. bespoke headrests, laterals, pressure relief foam, covers etc.**

**Client Background Information**