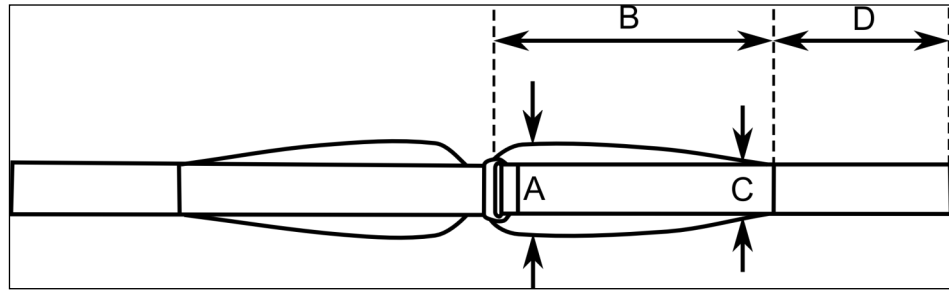
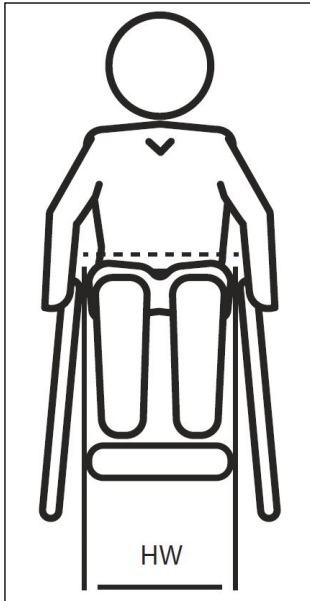


HIP POSITIONING BELTS—2 POINT HIP BELTS - SINGLE PULL ADJUSTABLE



Hip Width (HW) measured in a straight line between the top of each hip bone (iliac crest)

Measuring guide for pelvic positioning belt

Hip width—Sizing chart (mm)

Extra Small	130 - 220
Small	180 - 270
Medium	250 - 370
Large	330 - 460
XLarge	440 - <

Our pelvic belts come with two padded sections to ensure user comfort and correct pressure distribution. The nylon straps have been worked neatly into the padded sections. The padded parts are made of high-quality materials and are dirt and water-resistant.

The sizing is marked clearly on the inside of the belt and the trim strip on the nylon straps ensures correct symmetric settings. This also means you can use this to determine and check your adjustments.

SIDE RELEASE BUCKLE

Size (mm) & Part code	Style	A	B	C	D	Single Price (each)	4 Items or More*	Tick	Qty
Extra Small KB 6.70002.0	Single pull adjustable	50	175	40	600	£50.23	£44.73		
Small KB 6.70002.1	Single pull adjustable	70	175	50	650	£51.96	£46.46		
Medium KB 6.70002.2	Single pull adjustable	75	220	55	750	£52.08	£46.58		
Large KB 6.70002.3	Single pull adjustable	80	280	55	800	£53.85	£48.35		
Extra Large KB 6.70002.4	Single pull adjustable	95	330	60	800	£55.57	£50.07		

* Order 4 Items or more of any combination of harness/size/style

METAL PUSH BUTTON

Size (mm) & Part code	Style	A	B	C	D	Single Price (each)	4 Items or More*	Tick	Qty
Extra Small KB 6.70003.0	Single pull adjustable	50	175	40	600	£62.27	£56.77		
Small KB 6.70003.1	Single pull adjustable	70	175	50	650	£62.32	£56.82		
Medium KB 6.70003.2	Single pull adjustable	75	220	55	750	£62.43	£56.93		
Large KB 6.70003.3	Single pull adjustable	80	280	55	800	£64.25	£58.75		
Extra Large KB 6.70003.4	Single pull adjustable	95	330	60	800	£66.02	£60.52		

* Order 4 Items or more of any combination of harness/size/style

HIP POSITIONING BELTS—2 POINT HIP BELTS - SINGLE PULL ADJUSTABLE

AVIATION LATCH BUCKLE

Size (mm) & Part code	Style	A	B	C	D	Single Price (each)	4 Items or More*	Tick	Qty
Small KB 6.70006.1	Single pull adjustable	70	175	50	650	£60.61	£55.11		
Medium KB 6.70006.2	Single pull adjustable	75	220	55	750	£60.61	£55.11		
Large KB 6.70006.3	Single pull adjustable	80	280	55	800	£62.28	£56.78		
Extra Large KB 6.70006.4	Single pull adjustable	95	330	60	800	£60.46	£54.96		

* Order 4 Items or more of any combination of harness/size/style

HIP POSITIONING BELTS - 2 POINT HIP BELTS - DUAL PULL ADJUSTABLE

METAL PUSH BUTTON

Size (mm) & Part code	Style	A	B	C	D	Single Price (each)	4 Items or More*	Tick	Qty
Extra Small KB 6.70004.0	Dual pull adjustable	50	175	40	600	£74.01	£68.51		
Small KB 6.70004.1	Dual pull adjustable	70	175	50	650	£74.01	£68.51		
Medium KB 6.70004.2	Dual pull adjustable	75	220	55	750	£74.13	£68.63		
Large KB 6.70004.3	Dual pull adjustable	80	280	55	800	£75.94	£70.44		
Extra Large KB 6.70004.4	Dual pull adjustable	95	330	60	800	£77.76	£72.26		

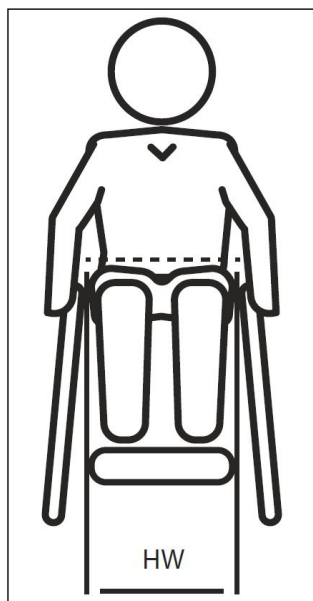
* Order 4 Items or more of any combination of harness/size/style

REDUCED ACCESS PIN RELEASE

Size (mm) & Part code	Style	A	B	C	D	Single Price (each)	4 Items or More*	Tick	Qty
Extra Small KB 6.70005.0	Dual pull adjustable	50	175	40	600	£86.30	£80.80		
Small KB 6.70005.1	Dual pull adjustable	70	175	50	650	£86.30	£80.80		
Medium KB 6.70005.2	Dual pull adjustable	75	220	55	750	£86.45	£80.95		
Large KB 6.70005.3	Dual pull adjustable	80	280	55	800	£88.28	£82.78		
Extra Large KB 6.70005.4	Dual pull adjustable	95	330	60	800	£90.04	£84.54		

* Order 4 Items or more of any combination of harness/size/style

HIP POSITIONING BELTS – 4 POINT HIP BELTS - SINGLE PULL ADJUSTABLE

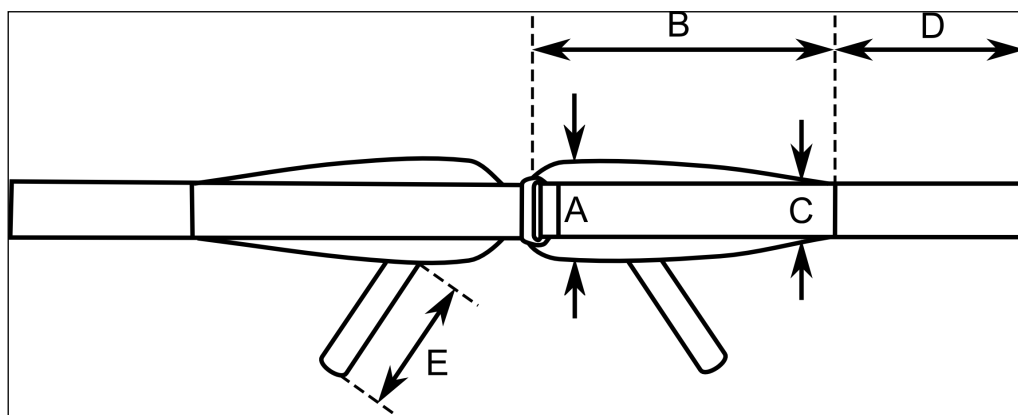


Hip Width (HW) measured in a straight line between the top of each hip bone (iliac crest)

Measuring guide for pelvic positioning belt

Hip width—Sizing chart (mm)

Extra Small	130- 220
Small	180 - 270
Medium	250 - 370
Large	330 - 460
XLarge	440 <



SIDE RELEASE BUCKLE

Size (mm) & Part code	Style	A	B	C	D	E	Single Price (each)	4 Items or More*	Tick	Qty
Extra Small KB 6.70042.0	Single pull adjustable	50	175	40	600	500	£61.73	£56.23		
Small KB 6.70042.1	Single pull adjustable	70	175	50	650	500	£61.73	£56.23		
Medium KB 6.70042.2	Single pull adjustable	75	220	55	750	600	£61.89	£56.39		
Large KB 6.70042.3	Single pull adjustable	80	280	55	800	600	£63.69	£58.19		
Extra Large KB 6.70042.4	Single pull adjustable	95	330	60	800	700	£65.52	£60.02		

* Order 4 Items or more of any combination of harness/size/style

HIP POSITIONING BELTS – 4 POINT HIP BELTS - DUAL PULL ADJUSTABLE

METAL PUSH BUTTON

Size (mm) & Part code	Style	A	B	C	D	E	Single Price (each)	4 Items or More*	Tick	Qty
Extra Small KB 6.70043.0	Dual pull adjustable	50	175	40	600	500	£79.33	£73.83		
Small KB 6.70043.1	Dual pull adjustable	70	175	50	650	500	£79.51	£74.01		
Medium KB 6.70043.2	Dual pull adjustable	75	220	55	750	600	£79.62	£74.12		
Large KB 6.70043.3	Dual pull adjustable	80	280	55	800	600	£81.23	£75.73		
Extra Large KB 6.70043.4	Dual pull adjustable	95	330	60	800	700	£82.92	£77.42		

* Order 4 Items or more of any combination of harness/size/style

HIP POSITIONING BELTS – 4 POINT HIP BELTS - DUAL PULL ADJUSTABLE

METAL PUSH BUTTON

Size (mm) & Part code	Style	A	B	C	D	E	Single Price (each)	4 Items or More*	Tick	Qty
Extra Small KB 6.70044.0	Dual pull adjustable	50	175	40	600	500	£71.22	£65.72		
Small KB 6.70044.1	Dual pull adjustable	70	175	50	650	500	£71.22	£65.72		
Medium KB 6.70044.2	Dual pull adjustable	75	220	55	750	600	£71.40	£65.90		
Large KB 6.70044.3	Dual pull adjustable	80	280	55	800	600	£73.18	£67.68		

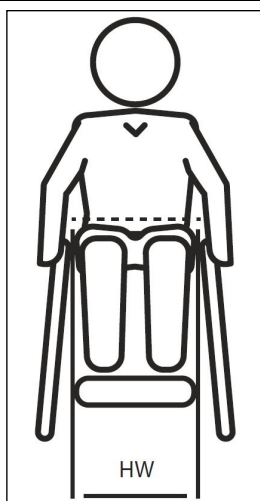
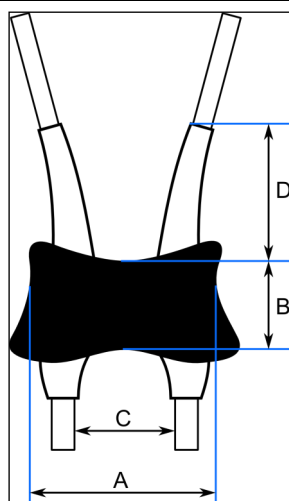
* Order 4 Items or more of any combination of harness/size/style

REDUCED ACCESS PIN RELEASE

Size (mm) & Part code	Style	A	B	C	D	E	Single Price (each)	4 Items or More*	Tick	Qty
Extra Small KB 6.70045.0	Dual pull adjustable	50	175	40	600	500	£93.28	£87.78		
Small KB 6.70045.1	Dual pull adjustable	70	175	50	650	500	£93.28	£87.78		
Medium KB 6.70045.2	Dual pull adjustable	75	220	55	750	600	£93.41	£87.91		
Large KB 6.70045.3	Dual pull adjustable	80	280	55	800	600	£95.19	£86.69		

* Order 4 Items or more of any combination of harness/size/style

ABDUCTION POSITIONING



Hip Width (HW) measured in straight line between the top of each hip bone (iliac crest)

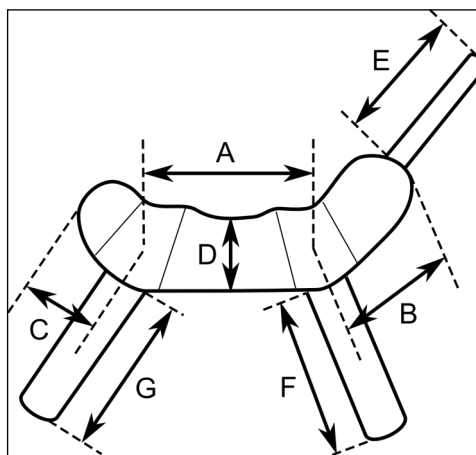
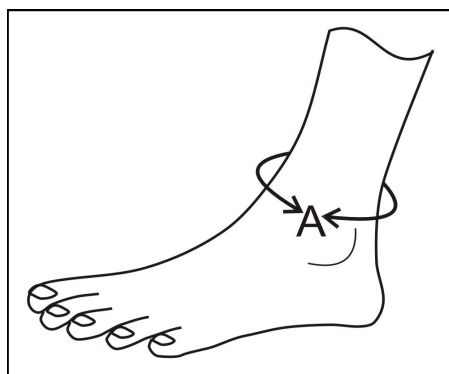
Hip width—Sizing chart (mm)	
Extra Small	130- 220
Small	180 - 270
Medium	250- 370
Large	330 - 460

ABDUCTION POSITIONING

Size (mm) & Part code	A	B	C	D	Single Price (each)	4 Items or More*	Tick	Qty
Extra Small KB 9.70001.0	190	150	70	140	£64.15	£58.65		
Small KB 9.70001.1	215	180	90	190	£64.18	£58.68		
Medium KB 9.70001.2	240	210	110	240	£64.24	£53.32		
Large KB 9.70001.3	270	240	130	300	£66.03	£60.53		

*Order 4 Items or more of any combination of harness/size/style

ANKLE POSITIONING CUFFS



ANKLE CUFFS	
Ankle Circumference (A) mm	
Extra Small:	< 180
Small:	180 < 220
Medium:	220 < 260
Large:	< 260

Circumference measured over the rounded protuberance of the ankle (malleolus)

Ankle Positioning Cuffs keep the legs at the correct angle to provide a strong sitting position. If you also want to inhibit spasms, ankle positioning is an essential component in the positioning range.

Our ankle positioning device is ergonomic and provides the right amount of pressure and comfort levels. The adjustable straps mean the feet and legs still have the correct range of motion.

ANKLE POSITIONING CUFFS (PAIR)

Size (mm) & Part code	Style	A	B	C	D	E	F	G	Single Price (each)	4 Items or More*	Tick	Qty
Extra Small KB 8.70001.0	Velcro Fastening	80	65	55	45	80	210	210	£91.23	£85.73		
Extra Small KB 8.70002.0	Buckle Fastening	80	65	55	45	80	210	210	£91.23	£85.73		
Small KB 8.70001.1	Velcro Fastening	110	75	60	55	110	210	210	£94.54	£89.04		
Small KB 8.70002.1	Buckle Fastening	110	75	60	55	110	210	210	£94.54	£89.04		
Medium KB 8.70001.2	Velcro Fastening	140	95	65	60	140	260	260	£94.93	£89.43		
Medium KB 8.70002.2	Buckle Fastening	140	95	65	60	140	260	260	£94.93	£89.43		
Large KB 8.70001.3	Velcro Fastening	170	110	65	60	170	260	260	£96.59	£91.09		
Large KB 8.70002.3	Buckle Fastening	170	110	65	60	170	260	260	£96.59	£91.09		

* Order 4 Items or more of any combination of harness/size/style

Any Additional Information